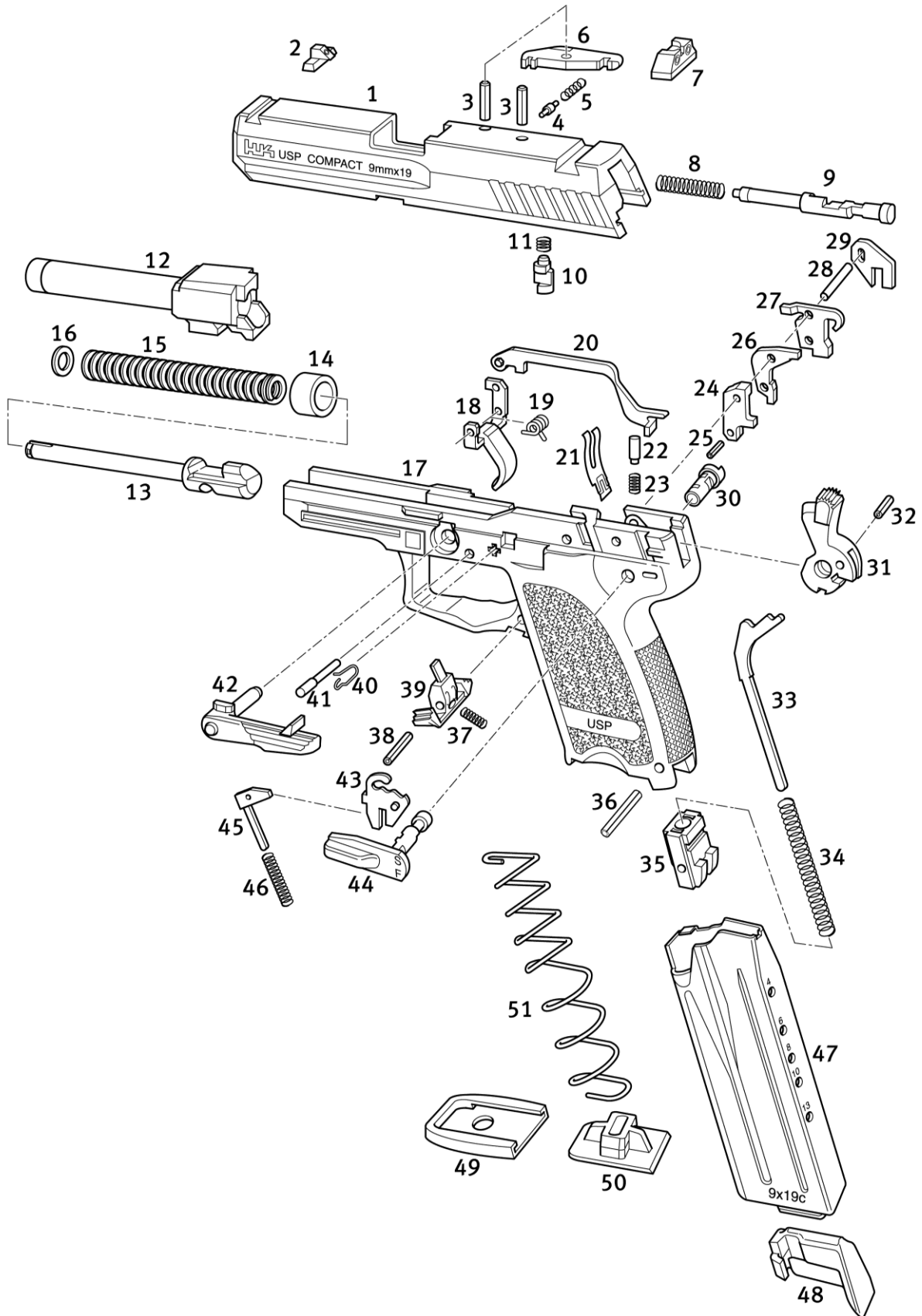


USP Compact

Fig. 1 Exploded view

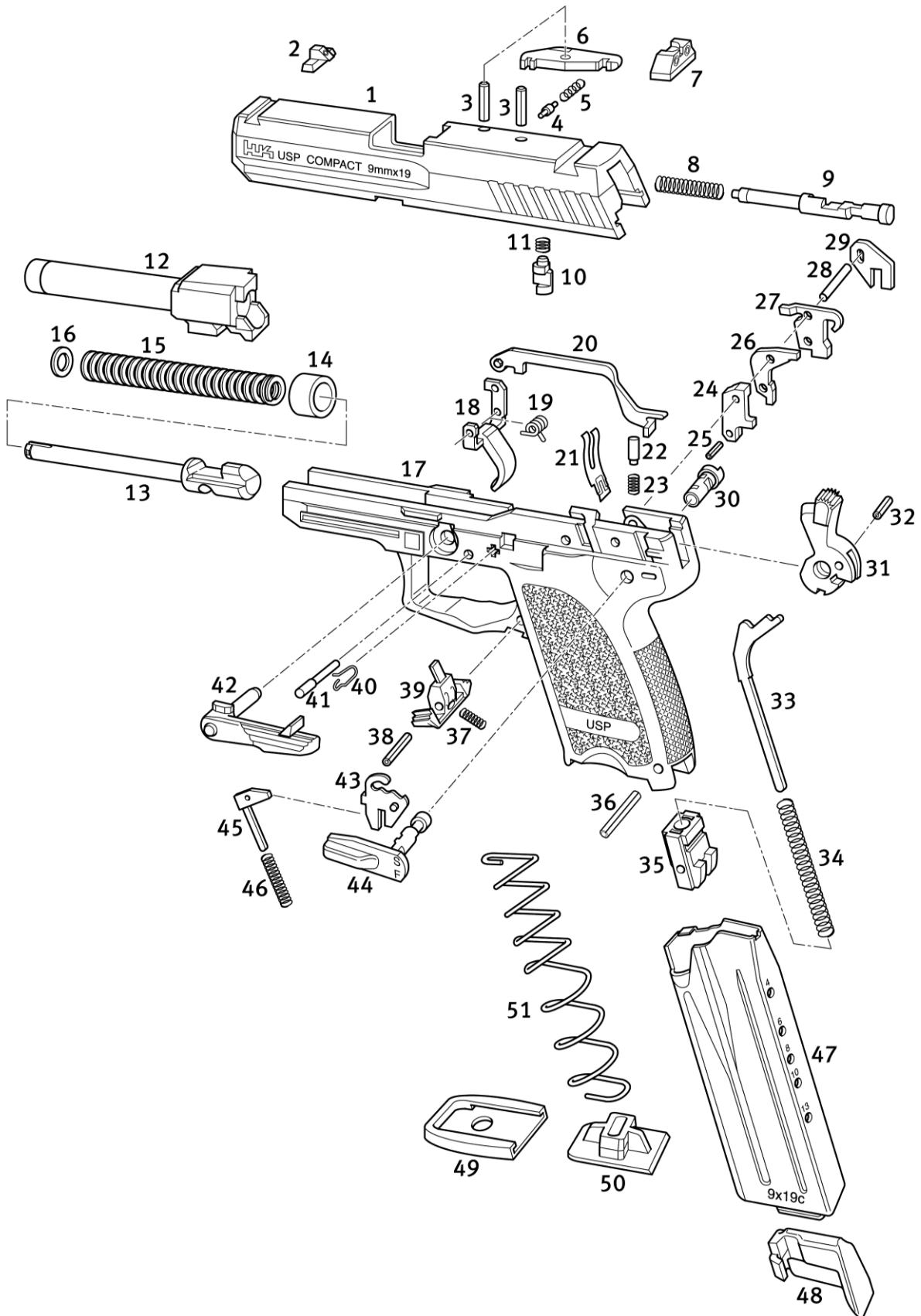




USP Compact
Fig. 1 Exploded view

Pos.	Designation	Drawing-No.	Ident.-No.	Quantity per 100 weapons	Quantity per service unit		Comment
--	USP Compact Pistol	93117/21-110	215 910	--			
	Slide assembly						
--	Slide, compl. (1-10)	93118-130	215 839	3			
1	Slide	93118-130.01	215 840	--			
2	Front sight, height 6,0	93083-133.01(03)	215 823	--			
--	Front sight, height 6,2	93083-133.01(04)	215 824	--			
--	Front sight, height 6,4	93083-133.01(05)	214 220	--			
--	Front sight, height 6,6	93083-133.01(06)	214 221	5			
--	Front sight, height 6,8	93083-133.01(07)	214 222	5			
--	Front sight, height 7,0	93083-133.01(08)	214 223	5			
--	Front sight, height 7,2	93083-133.01(09)	214 224	--			
--	Front sight, height 7,4	93083-133.01(10)	214 225	--			
3	Clamping sleeve (2x)	ISO 8750-3X14	980 838	50			
4	Extractor bolt	93117-130.04	215 801	5			
5	Extractor spring	93083-130.03	214 188	5			
6	Extractor	93117-130.02	215 919	5			
7	Rear sight	93083-131	214 193	5			

USP Compact Fig. 1 Exploded view

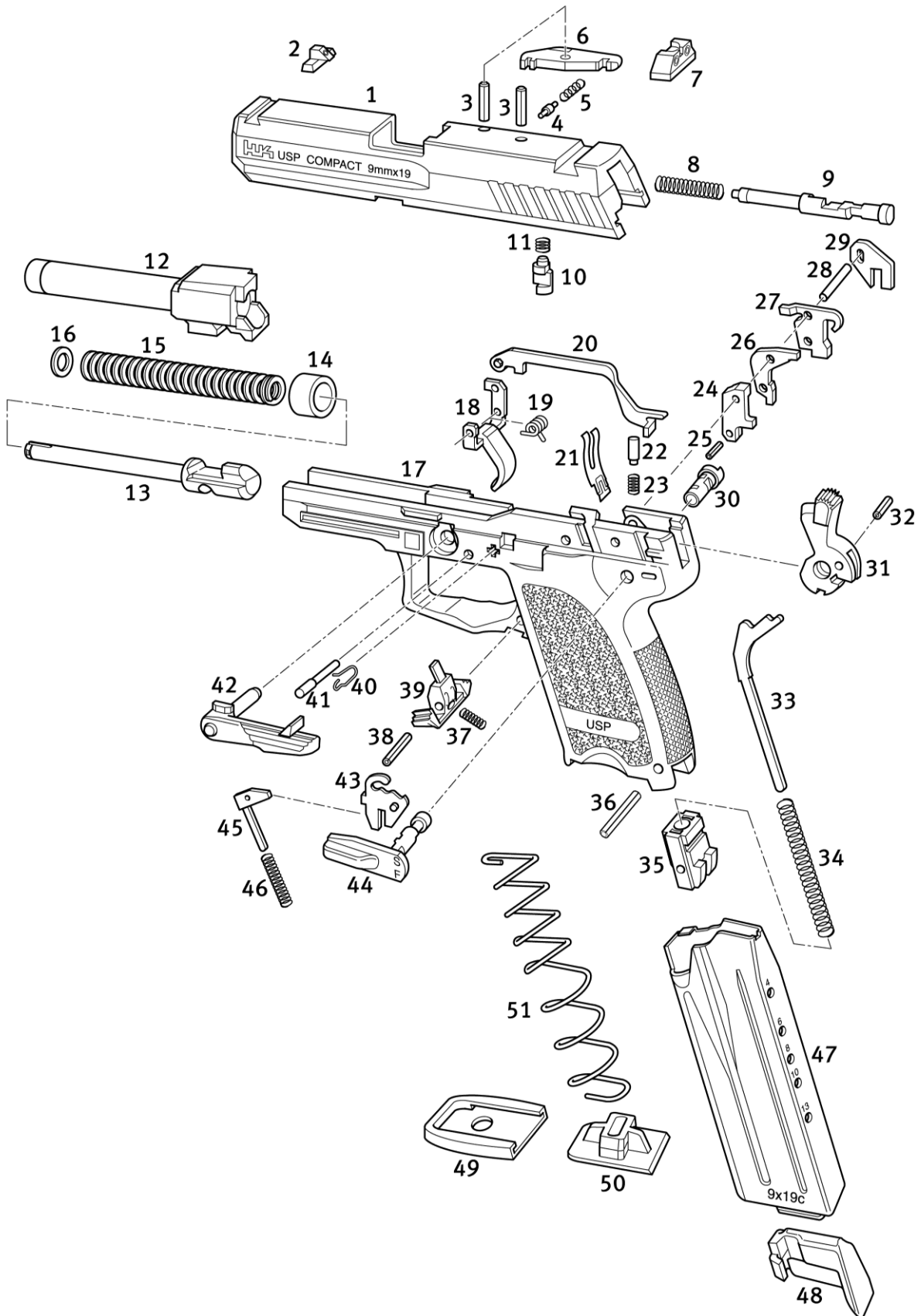




USP Compact
Fig. 1 Exploded view

Pos.	Designation	Drawing-No.	Ident.-No.	Quantity per 100 weapons	Quantity per service unit		Comment
8	Firing pin spring	93117-130.06	215 822	5			
9	Firing pin	93201-130.05	209 295	3			
10	Compression spring for drop safety catch	93201-130.09	209 296	5			
11	Drop safety catch	93201-130.08	209 313	5			
12	Barrel	93118-100.01	215 838	--			
	Recoil spring guide rod assembly						
--	Recoil spring guide rod, compl. (13-16)	93118-150	215 851	5			
13	Recoil spring guide rod	93117-150.01	215 828	--			
14	Stop sleeve	93117-150.07	215 932	--			
15	Recoil spring	93118-150.03	215 852	5			
16	Recoil spring stop disc	93117-150.05	215 831	--			
	Frame assembly						
--	Frame, compl. (17-47)	93117/21-110	215 884	--			
17	Frame	93117/21-111	215 885	3			
18	Trigger	93117-118	215 816	3			
19	Elbow spring for trigger	93083-110.04	214 164	3			
20	Trigger bar	93117-113	215 812	3			
21	Leaf spring for catches	93083-110.11	214 167	5			
22	Trigger bar detent	93083-110.07	214 165	3			
23	Trigger bar detent spring	93083-110.08	214 166	3			

USP Compact Fig. 1 Exploded view



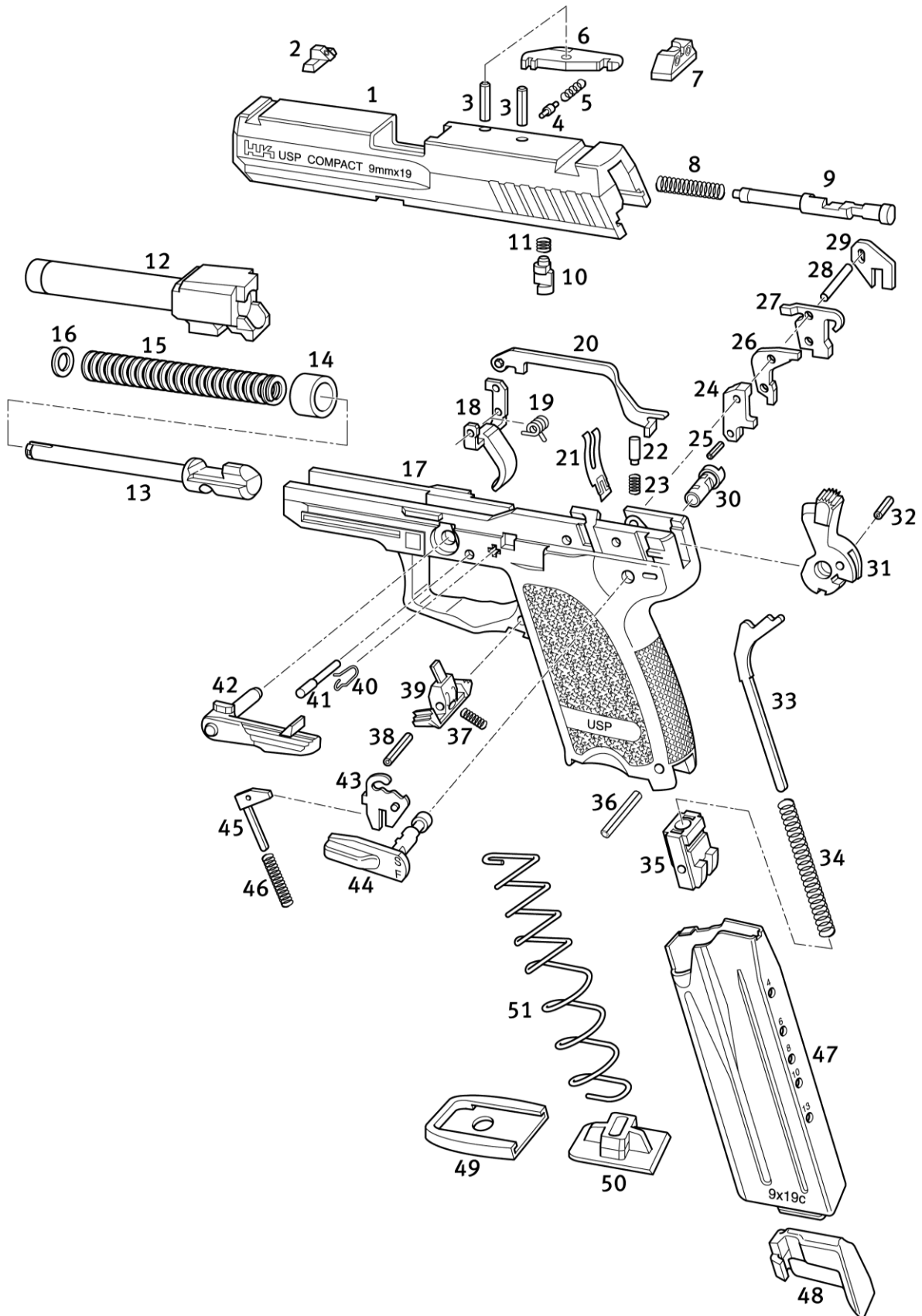


USP Compact
Fig. 1 Exploded view

Pos.	Designation	Drawing-No.	Ident.-No.	Quantity per 100 weapons	Quantity per service unit		Comment
--	Release catch, compl. (24+25)	93083-115	214 179	3			
24	Release catch	93083-115.01	214 180	--			
25	Clamping sleeve	ISO 8748 - 2X10-ST	982 785	--			
26	Hammer catch	93200-110.19	219 442	3			
27	Control lever	93086-110.20	214 817	3			
28	Cylindrical pin	93083-110.16	214 101	5			
29	Disconnecter	93086-110.10	214 840	3			
30	Hammer axle	93086-110.15	214 774	3			
31+32	Hammer with spur, compl. (31+32)	93207-116	218 570	3			
32	Clamping sleeve for hammer with spur	ISO 8752 – 2,5X8-ST	926 066	5			
33	Hammer spring rod	93117-110.25	215 809	3			
34	Hammer spring	93083-110.26	214 300	5			
35	Frame insert	93083-110.06	214 341	3			
36	Clamping pin for frame insert	94368-215.09	209 505	5			
37	Compression spring for magazine release	93117-110.23	215 929	5			
38	Clamping sleeve for magazine release	ISO 8750-3X14	980 838	See Pos. 3			
39	Magazine release	93086-114	214 818	3			
40	Form spring for slide release	93083-110.24	214 171	5			
41	Trigger axle	93083-110.02	214 154	3			
42	Slide release	93117-117	215 814	3			



USP Compact Fig. 1 Exploded view





USP Compact
Fig. 1 Exploded view

Pos.	Designation	Drawing-No.	Ident.-No.	Quantity per 100 weapons	Quantity per service unit		Comment
43	Detent plate	93089-110.14	214 949	3			
44	Safety lever	93117-119	215 818	3			
45	Slide plate	93083/01-110.13	214 105	3			
46	Compression spring for slide plate	93083/01-110.12	214 104	3			
	Magazine assembly						
--	Magazine 13 cartridges, compl. (47-51)	93118-300	215 841	5			
47	Magazine housing	93118-300.01	215 842	--			
48	Follower	93117-400.05	215 836	--			
49	Magazine floor plate	93118-300.03	215 843	--			
50	Locking plate	93118-300.04	215 844	5			
51	Magazine spring	93083-300.02	214 212	--			