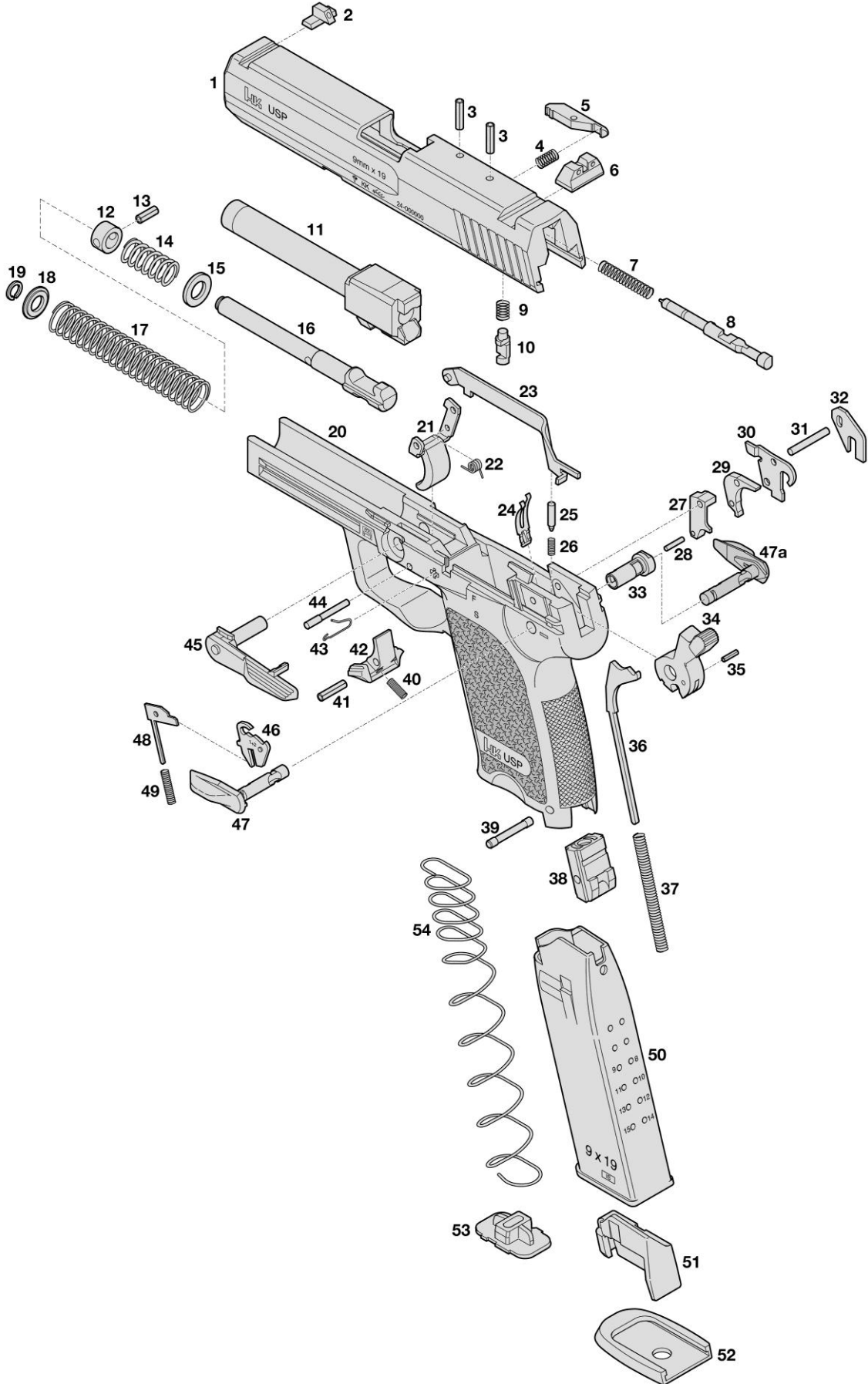


USP Standard

Fig. 1 Exploded view





USP Standard
Fig. 1 Exploded view

Pos.	Designation	Drawing-No.	Ident.-No.	Quantity per 100 weapons	Quantity per service unit		Comment
--	USP Standard Pistol	93085/21-100	214 506	--			
	Slide assembly						
--	Slide, compl. (1-10)	93085-130	214 345	3			
1	Slide	93085-130.01	214 304	--			
2	Front sight, height 6,0	93083-133	215 825	--			
--	Front sight, height 6,2	93083-133	215 826	--			
--	Front sight, height 6,4	93083-133	214 199	--			
--	Front sight, height 6,6	93083-133	214 200	5			
--	Front sight, height 6,8	93083-133	214 201	5			
--	Front sight, height 7,0	93083-133	214 202	5			
--	Front sight, height 7,2	93083-133	214 203	--			
--	Front sight, height 7,4	93083-133	214 204	--			
3	Clamping sleeve (2x)	ISO 8750-3X14	980 838	50			
4	Extractor spring	93083-130.03	214 188	5			
5	Extractor	93083-130.02	214 187	5			
6	Rear sight	93083-131	214 193	5			



USP Standard
Fig. 1 Exploded view

Pos.	Designation	Drawing-No.	Ident.-No.	Quantity per 100 weapons	Quantity per service unit		Comment
7	Firing pin spring	93083-130.06	214 190	5			
8	Firing pin	93086-130.05	202 624	3			
9	Compression spring for drop safety catch	93201-130.09	209 296	5			
10	Drop safety catch	93201-130.08	209 313	5			
11	Barrel	93085-100.01	214 344	--			
	Recoil spring guide rod assembly						
--	Recoil spring guide rod, compl. (12-19)	93083-150	214 151	5			
12	Ring	93083-150.04	214 208	--			
13	Clamping sleeve	ISO 8750 - 3,5X10	929 908	--			
14	Compression spring	93083-150.03	214 207	5			
15	Washer	93083-150.02	214 206	--			
16	Recoil spring guide rod	93083-150.01	214 205	--			
17	Recoil spring	93083-150.06	214 148	5			
18	Recoil spring stop disc	93083-150.05	214 721	--			
19	Spring ring	DIN 7993 - A6	929 191	--			
	Frame assembly						
--	Frame, compl. (20-49)	93083/21-110	214 504	--			
20	Frame	93083-111	214 172	3			
21	Trigger	93086-118	214 841	3			
22	Elbow spring for trigger	93083-110.04	214 164	3			



USP Standard
Fig. 1 Exploded view

Pos.	Designation	Drawing-No.	Ident.-No.	Quantity per 100 weapons	Quantity per service unit		Comment
23	Trigger bar	93083-113	214 176	3			
24	Leaf spring for catches	93083-110.11	214 167	5			
25	Trigger bar detent	93083-110.07	214 165	3			
26	Trigger bar detent spring	93083-110.08	214 166	3			
--	Release catch, compl. (27+28)	93083-115	214 179	3			
27	Release catch	93083-115.01	214 180	--			
28	Clamping sleeve	ISO 8748 - 2X10-ST	982 785	--			
29	Hammer catch	93200-110.19	219 442	3			
30	Control lever	93086-110.20	214 817	3			
31	Cylindrical pin	93083-110.16	214 101	5			
32	Disconnecter	93086-110.10	214 840	3			
33	Hammer axle	93086-110.15	214 774	3			
34+35	Hammer with spur, compl. (34+35)	93207-116	218 570	3			
35	Clamping sleeve for hammer with spur	ISO 8752 - 2,5X8-ST	926 066	5			
36	Hammer spring rod	93086-110.25	214 819	3			
37	Hammer spring	93083-110.26	214 300	5			
38	Frame insert	93083-110.06	214 341	3			
39	Bolt for frame insert	93083-110.09	214 314	5			
40	Compression spring for magazine release	93083-110.23	214 170	5			
41	Clamping sleeve for magazine release	ISO 8750-3X14	980 838	See Pos. 3			



USP Standard
Fig. 1 Exploded view

Pos.	Designation	Drawing-No.	Ident.-No.	Quantity per 100 weapons	Quantity per service unit		Comment
42	Magazine release	93083-110.22	214 169	3			
43	Form spring for slide release	93083-110.24	214 171	5			
44	Trigger axle	93083-110.02	214 154	3			
45	Slide release	93083-117	214 181	3			
46	Detent plate	93083/01-110.14	214 099	3			
47	Safety lever	93083/01-119	214 184	3			
48	Slide plate	93083/01-110.13	214 105	3			
49	Compression spring for slide plate	93083/01-110.12	214 104	3			
	Magazine assembly						
--	Magazine, compl. (50-54)	93085-300	214 305	5			
50	Magazine housing	93085-310	214 350	--			
51	Follower	93083-300.01	214 211	--			
52	Magazine floor plate	93089-300.03	214 691	--			
53	Locking plate	93083-300.04	214 288	5			
54	Magazine spring	93083-300.02	214 212	--			