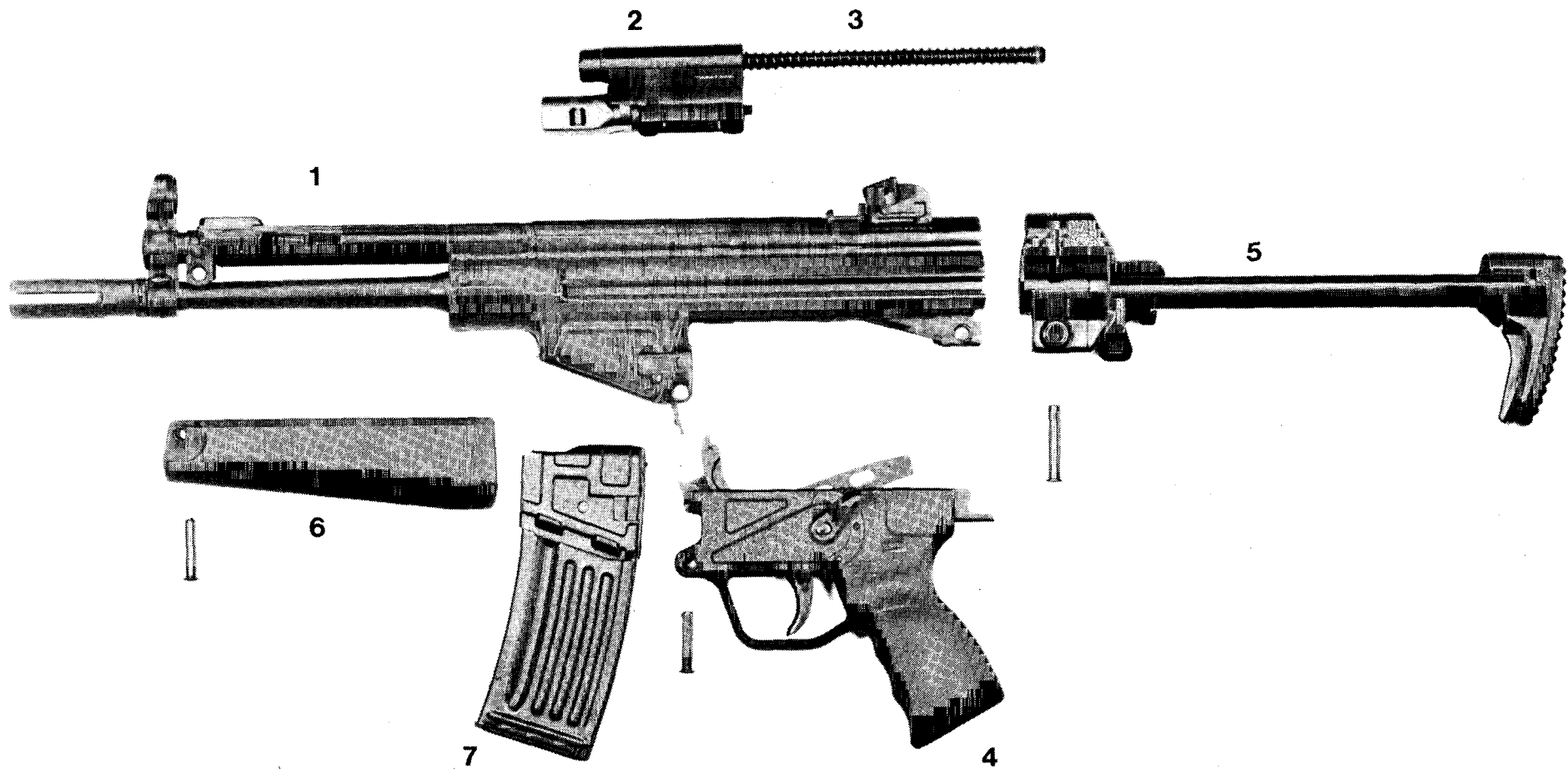


Submachine Gun HK53

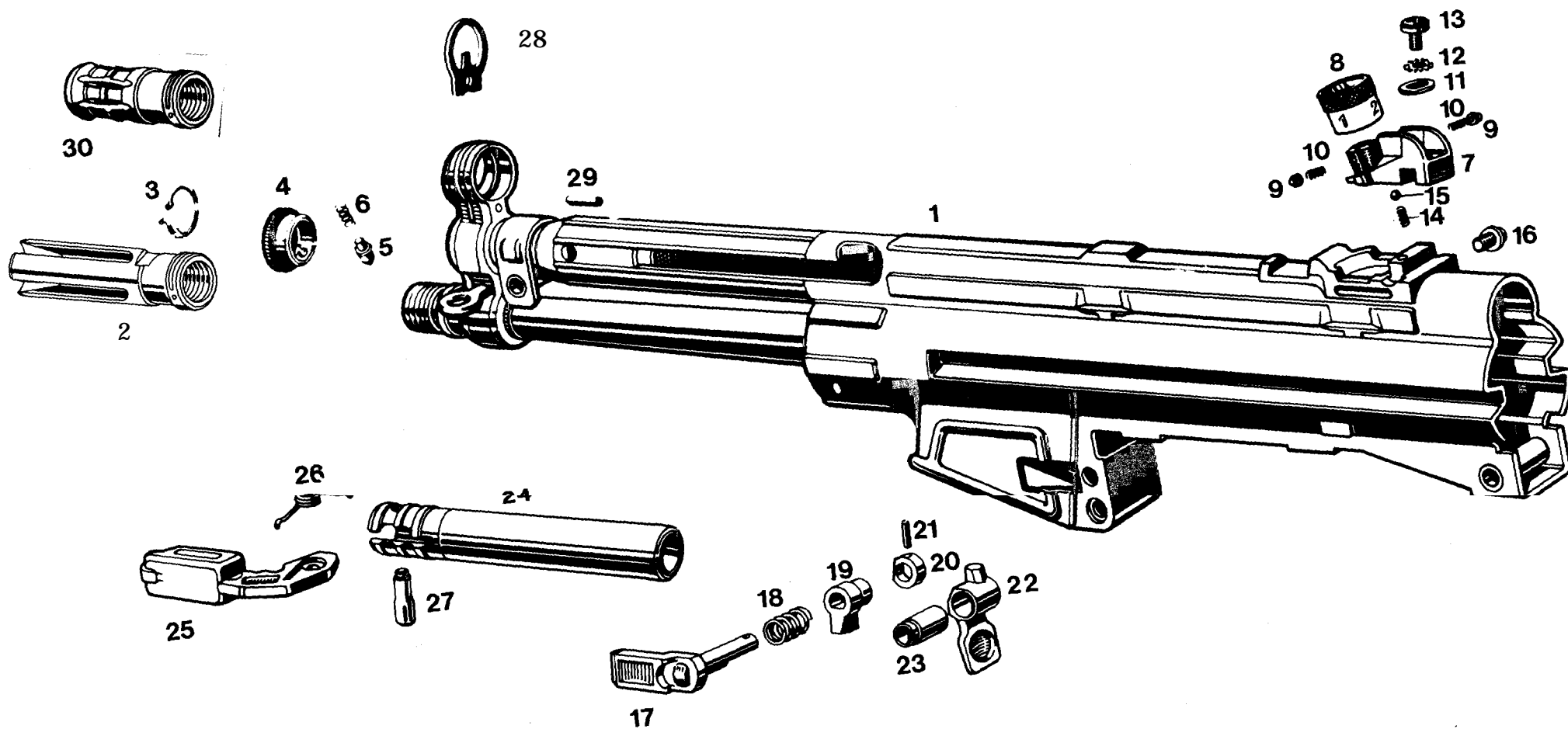
Fig. 1



Item	Parts Designation	Part No.	Ident. No.	Qty of parts per 100 arms/ devices		Remarks
1	2	3	4	5	6	7
1	Receiver with barrel, compl.	94033-100	225 152			Fig. 2
2	Bolt, compl.	2331-2000	224 257			Fig. 3
3	Recoil spring, compl.	2330-23	203 414			Fig. 4
4	Grip assembly, compl.	2323-3000	224 169			Fig. 5
5	Retractable butt stock	2327-4000	224 238			Fig. 6
6	Trapezoidal handguard, compl.	100407/5-600	206 657			Fig. 7
7	Magazine 5.56 mm x 45 (25 rounds)	2310-35	203 346			Fig. 8

Fig. 2

Receiver with barrel, corn pl.



HECKLER & KOCH



GMBH

OBERNDORF/NECKAR

Submachine Gun HK53, Twist 178 mm

Edition:

1d/TD 2360-0187

Receiver with barrel, compl.

Drawing-No. 94033-100

Ident-No. 225 152

Fig. 2

Page: 1/3

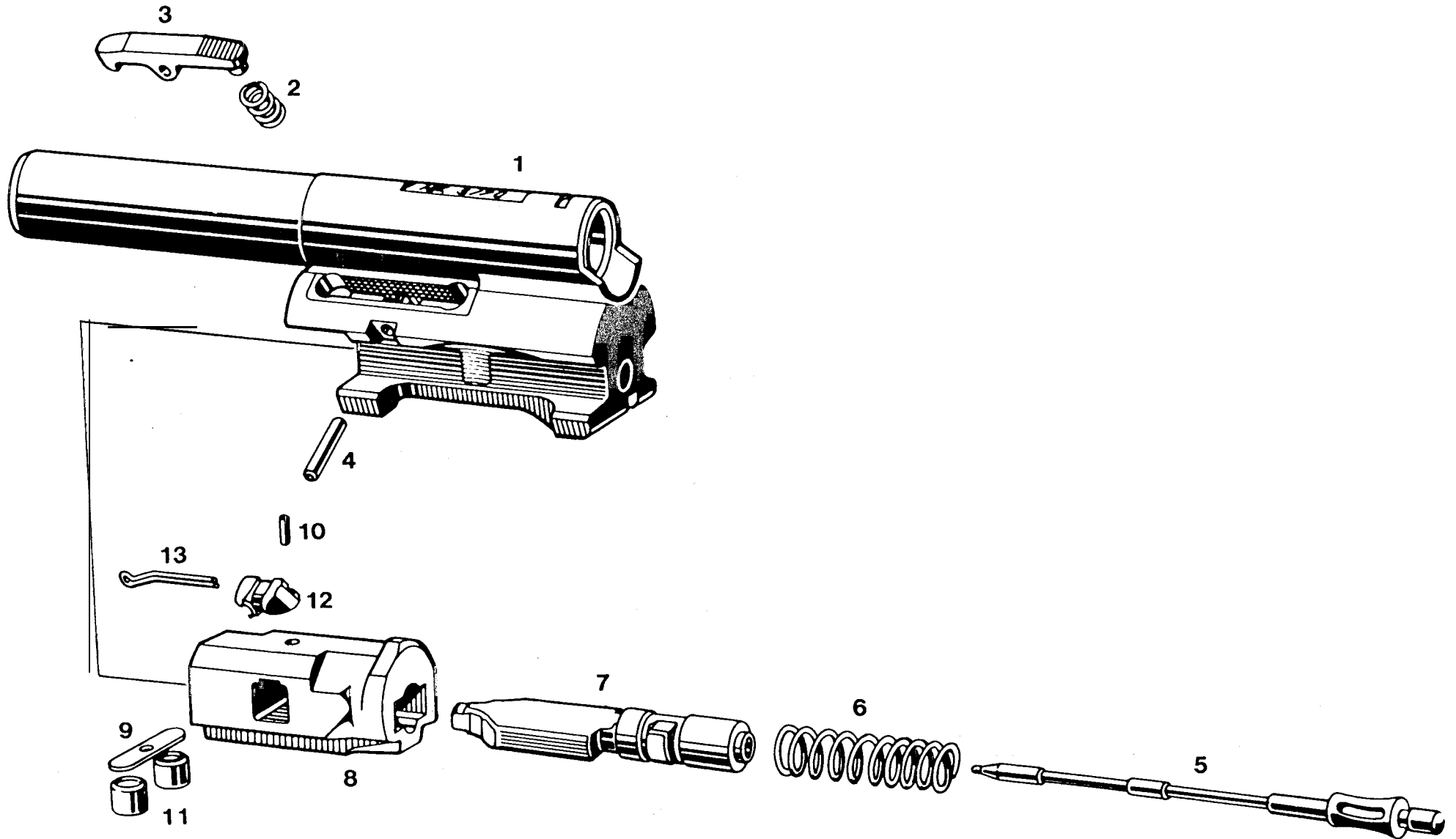
Item	Parts Designation	Part No.	Ident. No.	Qty of parts per 100 arms/ devices		Remarks
1	2	3	4	5	6	7
1	Receiver with barrel <u>Flash suppressor, compl.</u> consisting of: Items 2 and 3	94033-110 94033-150	225 153 228 395			
2	Flash suppressor	94033-150.01	228 396			
3	Retaining spring for flash hider <u>Cap, complete</u> consisting of: Items 4 - 6	1013-101.102 100229/5-01.14	200 370 206 497			
4	Cap	100229/5-01.15/1	206 498			
5	Compression bolt for cap	1013-01.18	200 387			
6	Pressure spring for cap <u>Rotary rear sight</u> consisting of: Items 7 - 10	1013-01.19 100229/5-101.05	200 388 206 495			
7	Rear sight support	1013-101.07	200 375			
8	Rear sight cylinder	1013-101.06/3	206 496			
9	Catch bolt	1013-101.16	200 381			
10	Spring for engagement pin	1013-101.17	200 382			

Item	Parts Designation	Part No.	Ident. No.	Qty of parts per 100 arms/ devices		Remarks
1	2	3	4	5	6	7
11	Washer	1013-101.28	200 371			
12	Toothed lock washer	A 5.3 DIN 6798	922 617			
13	Clamping screw	1013-101.29	200 372			
14	Ball spring	1013-101.09	200 383			
15	Ball	3 mm III-6 DIN 5401	929 897			
16	Windage adjusting screw	1013-101.30	200 384			
17	Magazine catch, compl.	2307-10	202 032			
18	Compression spring for magazine catch	1013-01.25	200 393			
19	Contact piece for magazine catch	1013-01.26	200 394			
20	Push button for magazine catch	1013-01.27	200 396			
21	Clamping sleeve	2.5 x 10-DIN 1481	922 608			
22	Magazine release lever	1013-111.790	205 570			
23	Bush for magazine release lever	1013-01.78	200 397			
24	Cocking lever support, compl.	2 3 3 0 - 1 0	203 408			
25	Cocking lever, compl.	2602-200	203 374			

Item	Parts Designation	Part No.	Ident. No.	Qty of parts per 100 arms/ devices		Remarks
1	2	3	4	5	6	7
26	Cocking lever elbow spring	1013-01.42	200 404			
27	Cocking lever axle	2307-05.03	202 111			
28	Front sight	1013-101.51	200 415			
29	Clamping sleeve	4 x 12 DIN 1481	922 609			
	<u>Flash-hider, compl.</u> consisting of: Items 3 and 30	1013-101.100	200 368			Replacement for Pos. 2 and 3
30	Flash-hider <u>Spare part set for rotary rear sight,</u> consisting of: a) Washer b) Toothed lock washer c) Clamping screw d) Ball spring (+ one replacement spring) e) Ball 3 mm (+ one replacement ball) f) Windage adjusting screw	1013-101.101 ST 1013-300	200 369 200 988			See item: 11 See item: 12 See item: 13 See item: 14 See item: 15 See item: 16

Bolt, compl.

Fig. 3



HECKLER & KOCH



GMBH

OBERNDORF/NECKAR

Submachine Gun HK53, Twist 178 mm

Bolt, compl.

Drawing-No. 2331-2000

Ident-No. 224 257

Fig. 3

Edition:
1d/TD 2360-0187

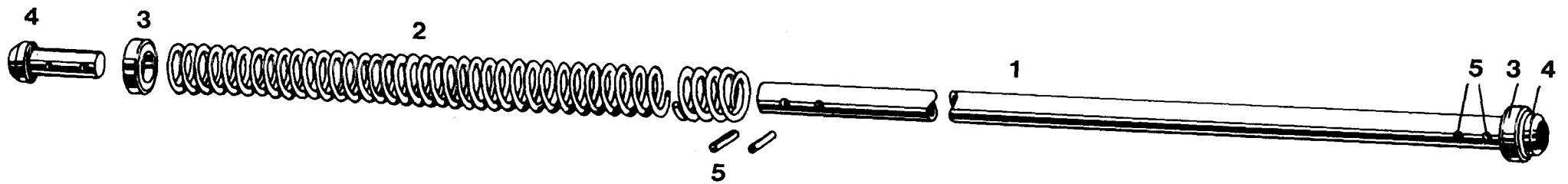
Page: 1/2

Item	Parts Designation	Part No.	Ident. No.	Qty of parts per 100 arms/ devices		Remarks
1	2	3	4	5	6	7
	<u>Bolt head carrier, compl.</u> consisting of: Items 1 - 4	2331-2100	224 258			
1	Bolt head carrier, welded	2331-2110	224 259			
2	Compression spring for bolt head locking lever	1013-02.16	200 453			
3	Bolt head locking lever, compl.	2304-35	200 315			
4	Cylindrical pin	1013-02.18	200 454			
5	Firing pin	2301-25.02	200 307			
6	Firing pin spring	2301-25.03	200 308			
7	Locking piece 65°	2301-25.015	224 687			
	<u>Bolt head, compl.</u> consisting of: Items 8 - 13	2304-28	200 304			
8	Bolt head	2304-28.01	200 310			
9	Holder for locking rollers	1013-02.11	200 449			
10	Clamping sleeve	1013-02.12	200 450			

Item	Parts Designation	Part No.	Ident. No.	Qty of parts per 100 arms/ devices	6	Remark:
1	2	3	4	5	6	7
11	2 Locking rollers	1013-02.10	200 446			Normal 8mm
11.1	2 Locking rollers 8, 02 D	1013-02.100	200 447			Oversize 0.02 mm
11.2	2 Locking rollers 8, 04 D	1013-02.101	200 448			Oversize 0.04 mm
12	Extractor	2304-28.02	200 311			
13	Extractor spring	1013-02.09	200 445			

Recoil spring, compl.

Fig. 4



HECKLER & KOCH



GMBH

OSBERNDORF/NECKAR

Submachine Gun HK53. Twist 178 mm

Edition:

1d/TD 2360-0187

Recoil spring, compl.

Drawing-No. 2330-23

Ident-No. 203 414

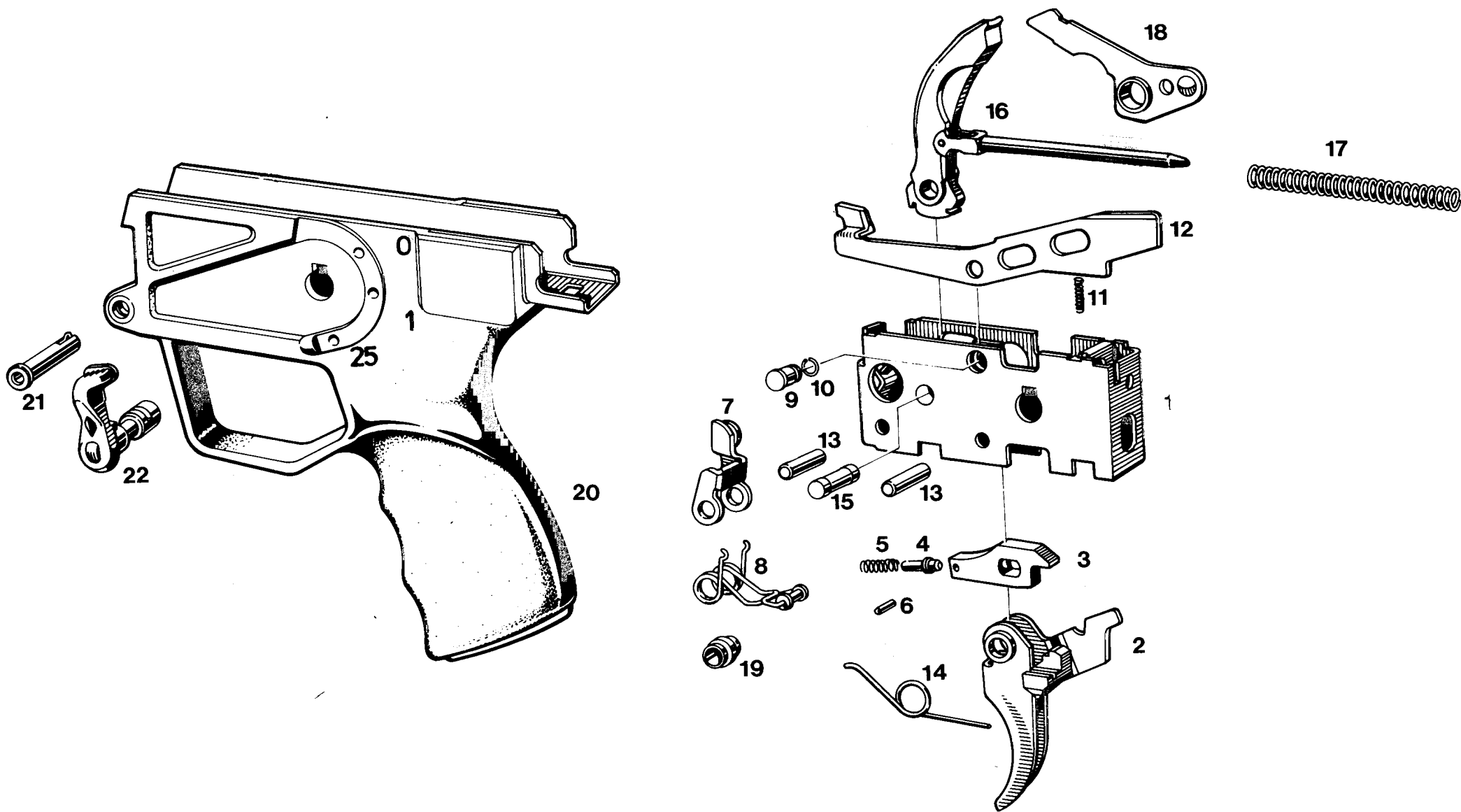
Fig. 4

Page: 1

						Remarks
						devices
1	2	3	4	5	6	7
1	Recoil spring guide rod	2330-23.01	203 415			
2	Recoil spring	2330-23.02	203 416			
3	2 Recoil spring guide rings	1013-04.10	200 524			
4	2 Recoil spring stop pin	1013-04.09	200 523			
5	4 Rivets	1013-04.11	200 526			
6	<u>Spare part set for recoil spring,</u> consisting of:	ST 1013-200	200 992			
	a) Recoil spring guide ring					See item 3
	b) Recoil spring stop pin					See item 4
	c) 2 Rivets					See item 5

Grip assembly, compl.

Fig. 5

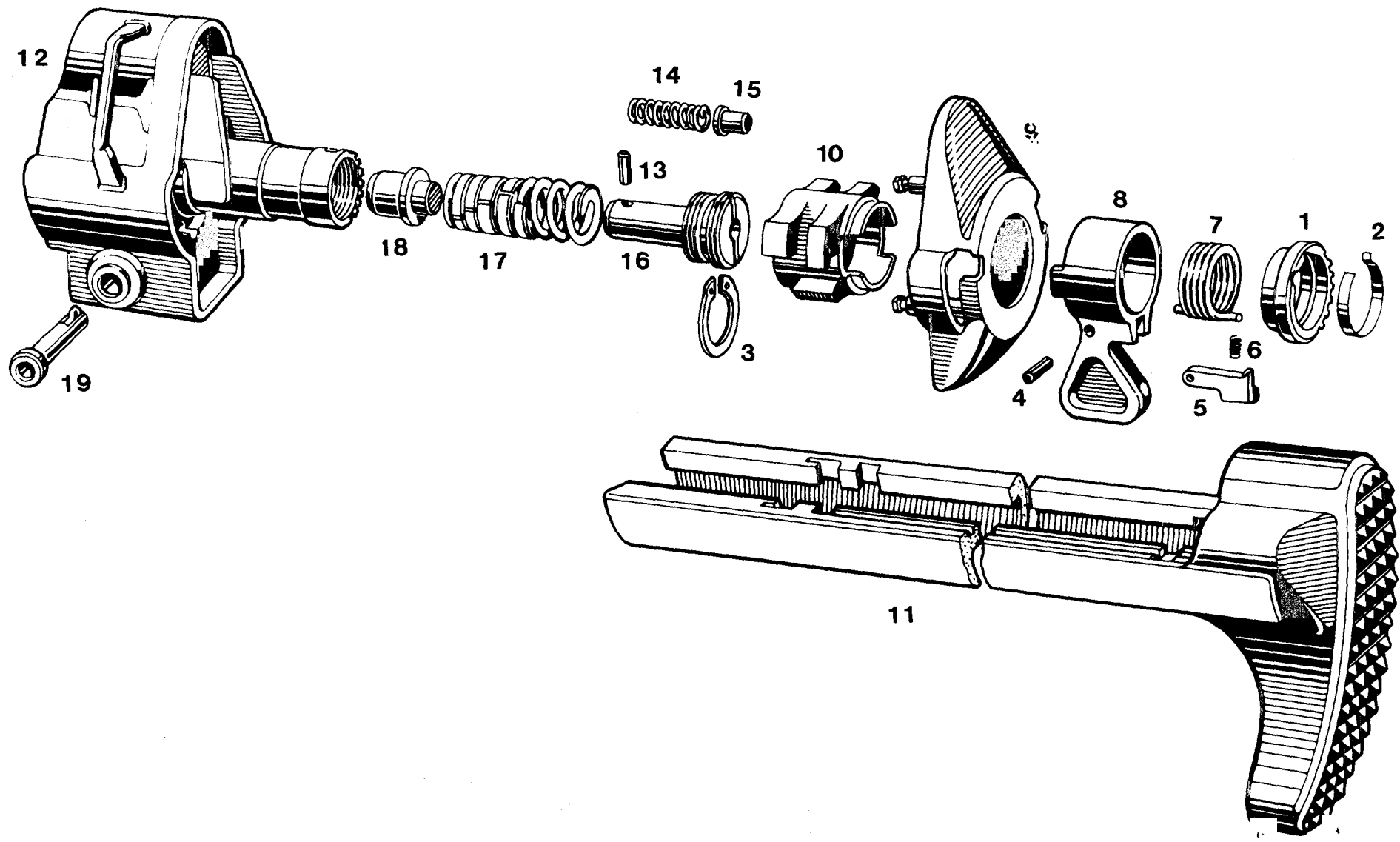


Item	Parts Designation	Part No.	Ident. No.	Qty of parts per 100 arms/ devices		Remarks
1	2	3	4	5	6	7
	<u>Trigger housing, compl.</u> consisting of: Items 1 - 18	2307-43	202 049			
1	Trigger housing, finished	1013-03.861	205 657			
2	Trigger, compl.	1013-03.45/1	205 629			
	<u>Sear, compl.</u> consisting of: Items 3 - 6	1013-03.55	200 489			
3	Sear	1013-03.56	200 490			
4	Trigger pin	1013-03.57	200 492			
5	Compression spring for sear	1013-03.58	200 493			
6	Clamping sleeve 2 x 6.9	1013-02.12	200 450			
7	Catch with roller	1013-03.72/I/41	200 871			
8	Elbow spring with roller	1013-03.78	200 505			
	<u>Axle for ejector, compl.</u> consisting of: Items 9 and 10	1013-03.33	200 479			
9	Axle for ejector	1013-03.35	200 480			
10	Spring ring for ejector axle	1013-03.34	200 481			

Item	Parts Designation	Part No.	Ident. No.	Qty of parts per 100 arms/ devices		Remarks
1	2	3	4	5	6	7
11	Ejector spring	1013-03.37	200 478			
12	Ejector	2301-43.01	200 269			
13	2 Axles for trigger and catch	1013-03.40	200 482			
14	Trigger spring	1013-03.41	200 483			
15	Axle for hammer	1013-03.61	200 494			
16	Hammer with pressure shank	100229-035	205 689			
17	Hammer spring	1013-03.64	200 498			
18	Release lever, compl.	100407-332	202 054			
19	Distance sleeve for catch	1013-03.77	200 504			
20	Pistol grip	2323-3200	224 170			
21	Locking pin	1013-03.01	200 459			
22	Safety, compl.	9230-330	221 202			

Fig. 6

Retractable butt stock



HECKLER & KOCH



GMBH

OBERNDORF/NECKAR

Submachine Gun HK53, Twist 178 mm

Edition:

1d/TD 2360-0187

Retractable butt stock

Drawing-No. 2327-4000

Ident-No. 224 238

Fig. 6

Page:

1/2

Item	Parts Designation	Part No.	Ident. No.	Qty of parts per 100 arms/ devices		Remarks
1	2	3	4	5	6	7
	<u>Locking ring with stop spring</u> consisting of: Items 1 and 2	1013-40.29	200 952			
1	Locking ring	1013-40.30	200 953			
2	Stop spring	1013-40.31	200 954			
3	Spring ring	AS 19 x 1.5 SD 00	928 404			
	<u>Clamping lever with ratchet</u> consisting of: Items 4 - 8	1013-40.23/1	205 838			
4	Clamping sleeve 2.5 x 7.5	1013-40.41	200 959			
5	Ratchet	1013-40.33	200 957			
6	Compression spring	1013-40.34	200 958			
7	Tension spring	1013-40.27	200 956			
8	Clamping lever, welded	1013-40.24/1	205 842			
9	Protective cover, compl.	1013-40.20/1	205 839			
10	Gripping lever	1013-40.32	200 951			
11	Butt stock	23171-410	206 981			
12	Back plate, welded	2327-4110	224 240			

HECKLER & KOCH

 GMBH
OBERNDORF/NECKAR

Submachine Gun HK53, Twist 178 mm

Retractable butt stock

Drawing-No. 2327-4000

Ident-No. 224 238

Fig. 6

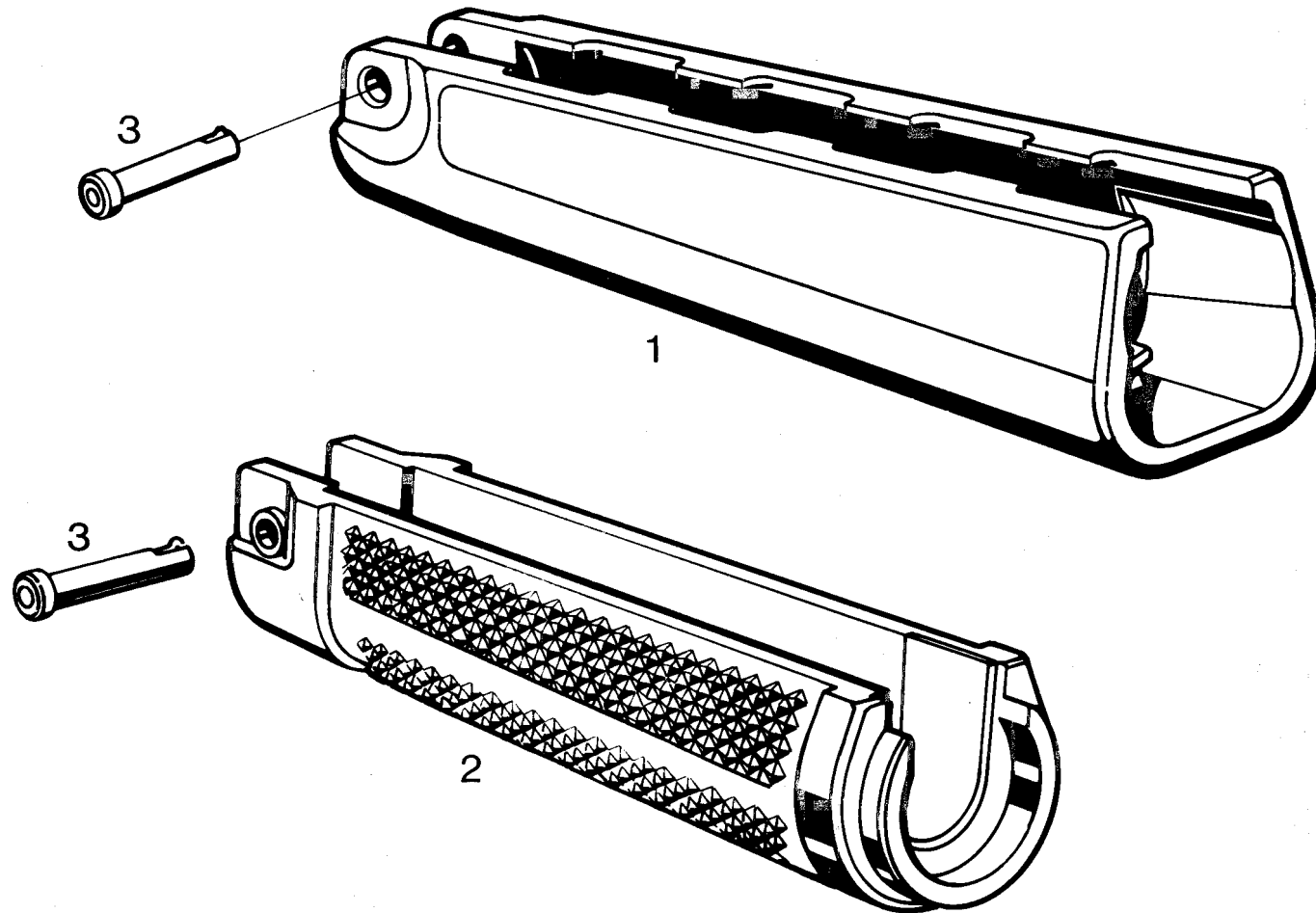
Edition:
1d/TD 2360-0187

Page: 2/2

Item	Parts Designation	Part No.	Ident. No.	Qty of parts per 100 arms/ devices		Remarks
1	2	3	4	5	6	7
	<u>Buffer closure with pressure bolt and compression spring</u> consisting of: Items 13 - 16	100229-404.100	206 726			
13	Clamping sleeve 2.5 x 7.5	1013-40.41	200 959			
14	Compression spring	1013-40.13	200 985			
15	Pressure bolt	1013-40.12	200 984			
16	Buffer screw	100229-404.101	206 725			
17	Buffer spring with brake ring	1013-04.585	200 558			
18	Buffer bolt	1013-40.14	200 975			
19	Butt stock locking pin, compl.	1013-04.01	200 520			

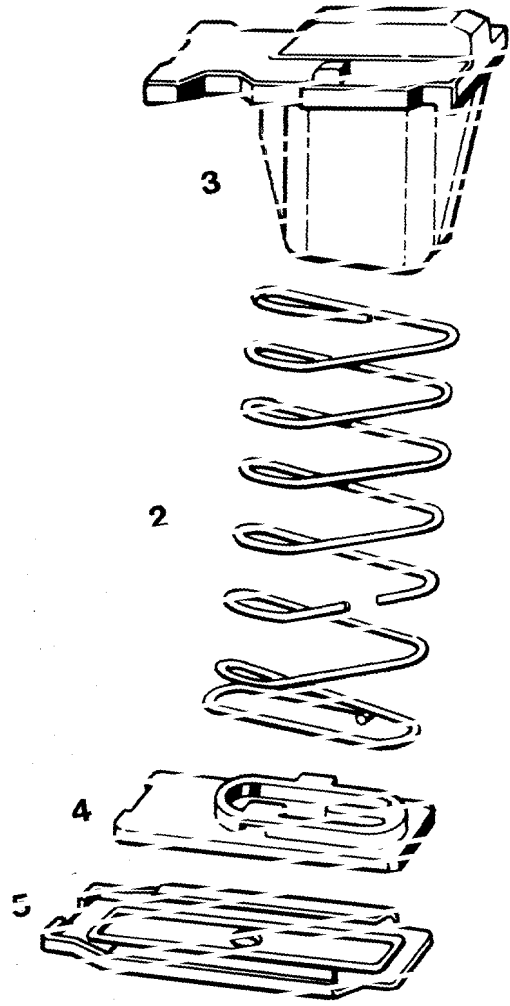
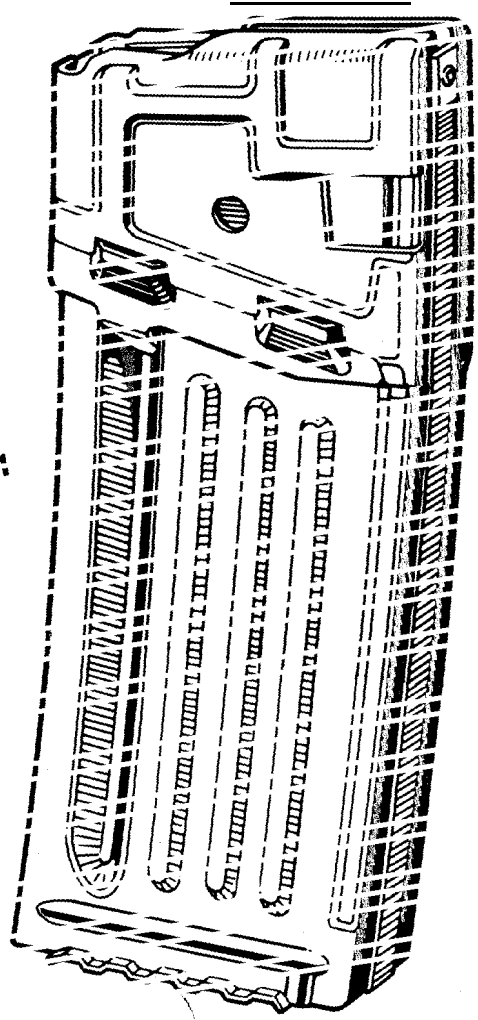
Handguard, compl.

Fig. 7



Item	Parts Designation	Part No.	Ident. No.	Qty of parts per 100 arms/ devices		Remarks
1	2	3	4	5	6	7
1	Trapezoidal handguard	100407/5-600.01	206 535			
1.1	Handguard	25-6000	224 007		alternat. for item 1	
2	Handguard locking pin, compl.	1013-03.01	200 459			

Magazine 5.56mm x 45



LT 15 63

Item	Parts Designation	Part No.	Ident. No.	Qty of parts per 100 arms/ devices		Remarks
1	2	3	4	5	6	7
1	Magazine housing, compl.	2310-38	203 348			
2	Follower spring	2310-35.02	203 361			
3	Follower	2310-55.02	203 389			
4	Spring floor plate	2310-55.03	203 395			
5	Magazine floor plate	2310-01.04	200 344			