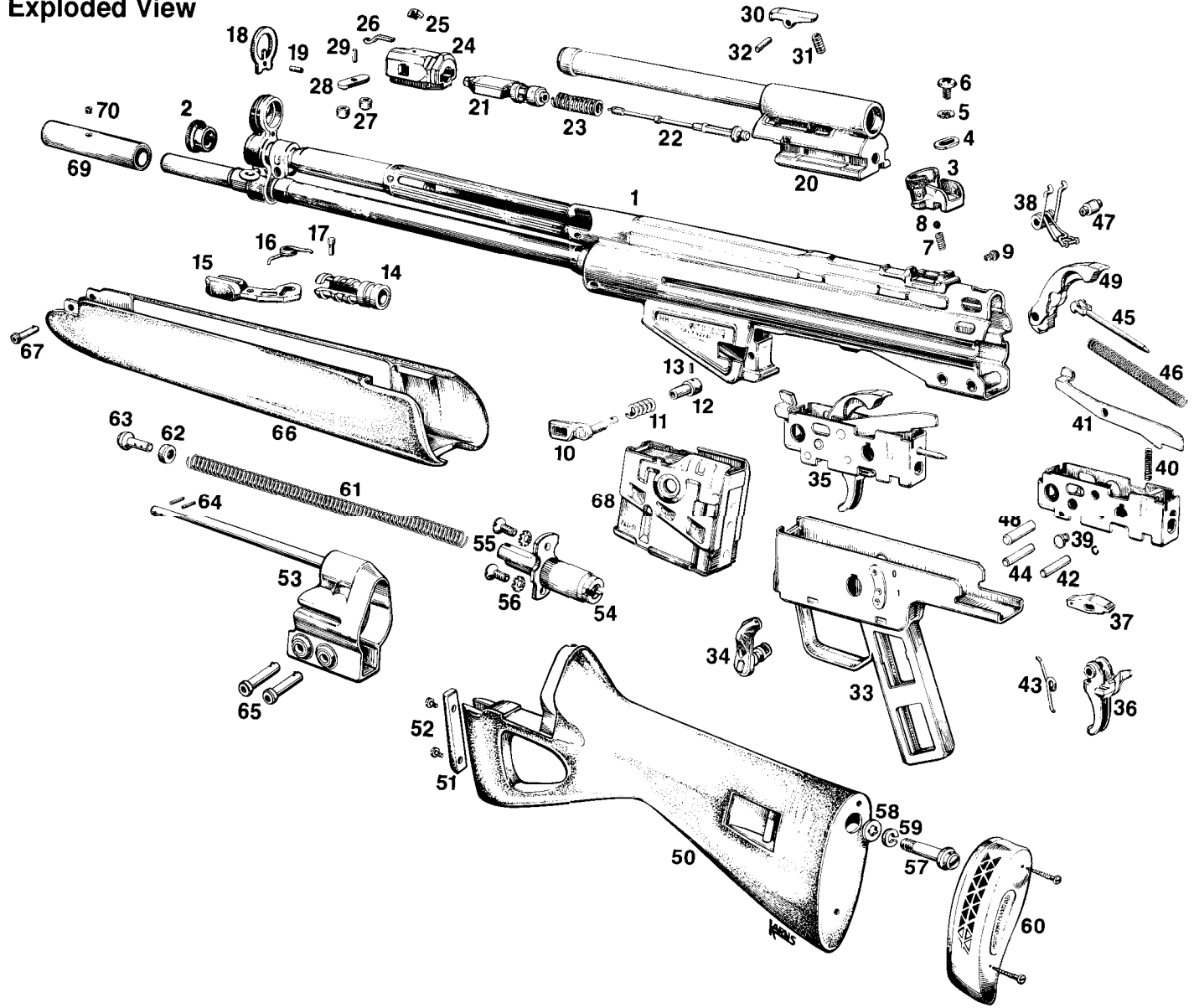


SECTION IX - Exploded View



SECTION IX - HK 911 Parts List

1. Receiver with barrel & cocking lever housing	Factory Installed	35. Trigger housing -	202548
2. Cap complete -	206497	36. Trigger -	225109
3. Rotary rear sight -	206495	37. Sear complete -	200489
4. Washer -	200371	38. Sear spring with roller -	202545
5. Toothed lock washer	922617	39. Ejector axle complete -	200479
6. Clamping screw	200372	40. Ejector spring -	200476
7. Compression spring for ball -	200383	41. Ejector -	200477
8. Ball -	929897	42. Axle for trigger and sear -	200482
9. Windage adjusting screw -	200384	43. Trigger spring -	200483
10. Magazine catch, complete-	205618	44. Axle for hammer -	200494
11. Compression spring for magazine catch -	200393	45. Hammer strut -	200497
12. Push button for magazine catch -	202538	46. Hammer spring -	200498
13. Clamping sleeve -	929423	47. Distance sleeve -	221022
14. Support for cocking lever -	200402	48. Hammer	221021
15. Cocking lever -	224886	49. Buttstock -	700850
16. Elbow spring for cocking lever-	200404	50. Grip insert -	701201
17. Cocking lever axle-	200403	51. Grip insert screws -	928691
18. Front sight -	200415	52. Back plate -	222251
19. Clamping sleeve -	922604	53. Buffer -	225675
20. Bolt head carrier -	Factory Installed	54. Countersunk screw for buffer -	200543
21. Locking piece -	Factory Installed	55. Lock washer -	922615
22. Firing pin -	200440	56. Buffer screw -	200531
23. Firing pin spring -	200441	57. Lock washer -	922614
24. Bolt head complete -	Factory Installed	58. Spring ring -	928147
25. Extractor -	200444	59. Butt pad-	701202
26. Extractor spring -	200445	60. Recoil spring -	200525
27. Locking rollers -	Factory Installed	61. Recoil spring guide ring -	200524
28. Holder for locking rollers -	200449	62. Recoil spring stop pin	200523
29. Clamping sleeve 2x6.9	200450	63. Two (2) rivetted pins -	200526
30. Bolt head locking lever -	200452	64. Buttstock locking pin-	200520
31. Compression spring for bolt head locking lever -	200453	65. Forend-	701200
32. Cylindrical pin -	200453	66. Forend locking pin -	200459
33. Pistol grip frame	224284	67. Magazine, 5 rounds -	206709
34. Safety, complete -	205621	68. Buttstock-	701203
		69. Barrel shroud	700987
		70. Set screw	700888