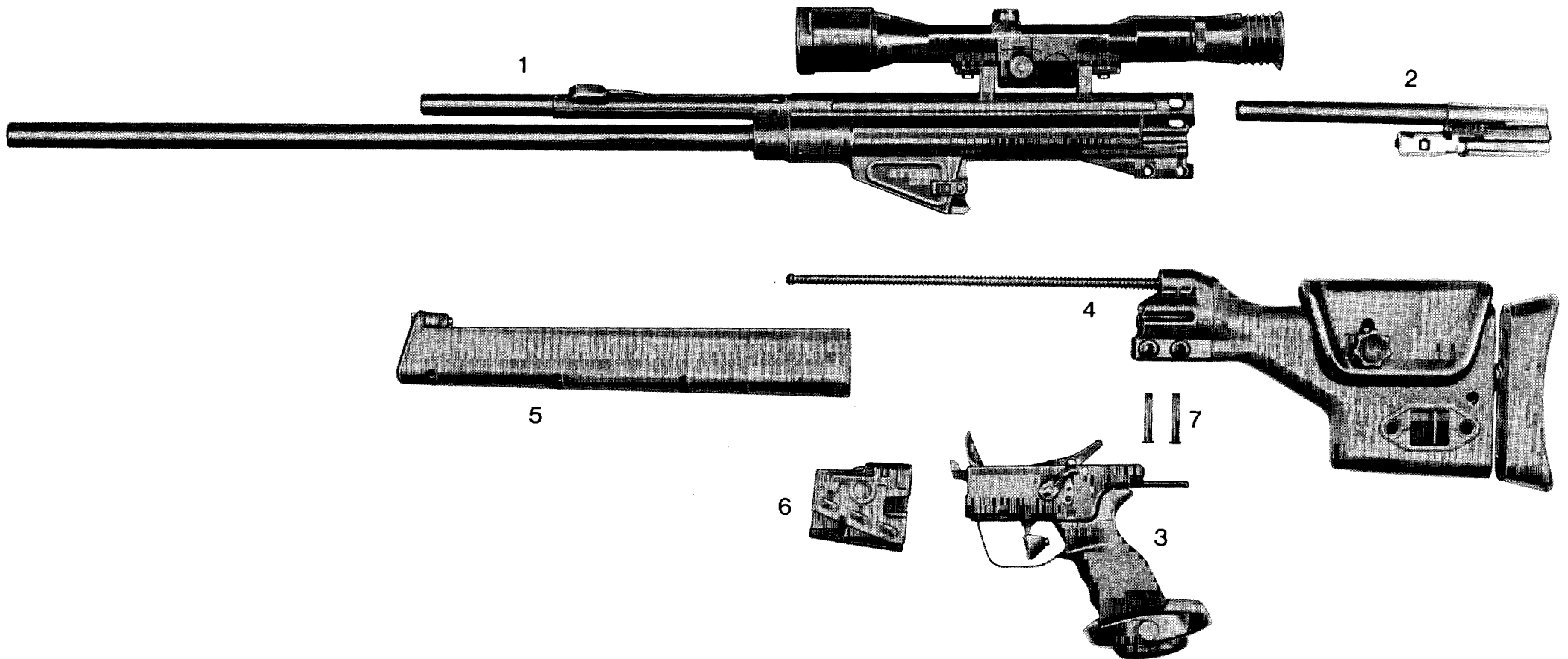


PSG1 Rifle

Assembly Groups

Fig. 1



HECKLER 81 KOCH



GMBH

OBERNDORF/NECKAR

PSG1 Rifle

Assembly groups

Drawing No. 9233

Ident-No. 224 658

Edition:

1a/TD 2380-0485

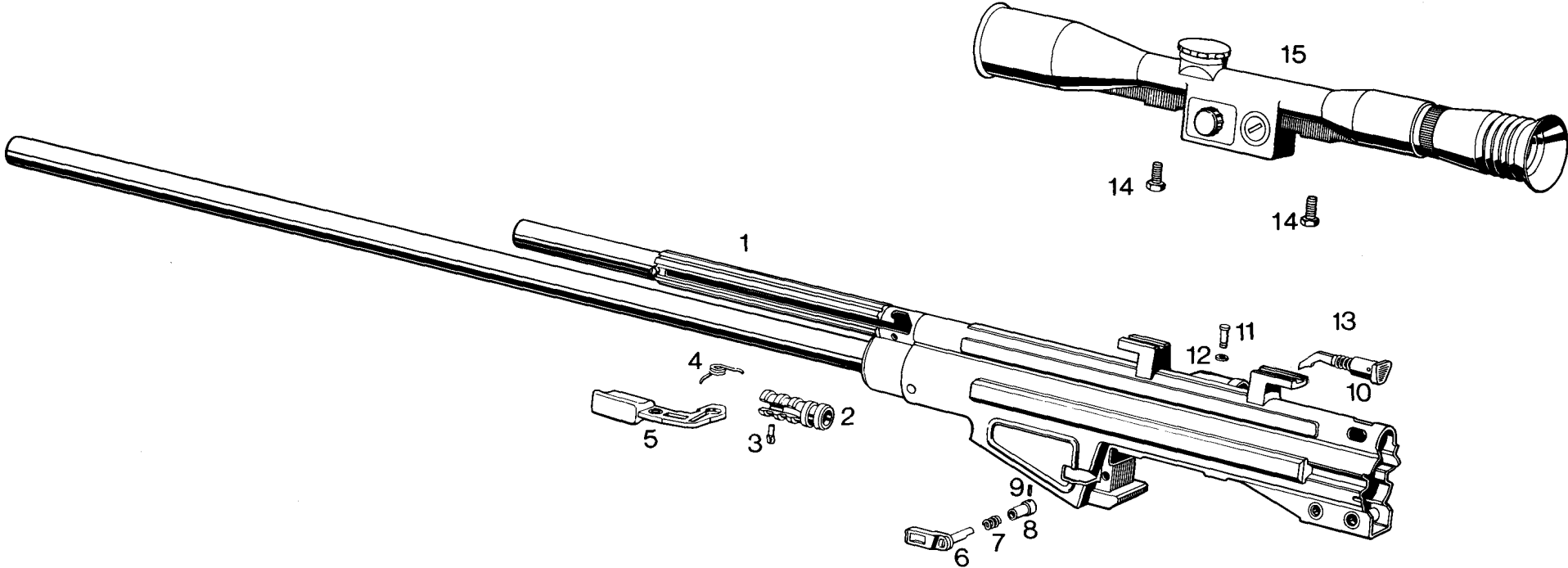
Page: 1

| Item | Parts Designation | Part No. | Ident. No. | Qty of parts per 100 arms/ devices | | Remarks |
|------|---|------------|------------|--|---|---------|
| 1 | 2 | 3 | 4 | 5 | 6 | 7 |
| 1 | Receiver with barrel, compl. (without telescope 6 x 42 (PSG1)) | 9233-1000 | 224 744 | | | Fig. 2 |
| 2 | Bolt assembly | 9233-2000 | 224 688 | | | Fig. 3 |
| 3 | Grip assembly, compl. | 9233-3000 | 224 693 | | | Fig. 4 |
| 4 | Butt stock, compl. | 9233-4000 | 224 721 | | | Fig. 5 |
| 5 | Handguard, compl. | 9233-6000 | 224 660 | | | -- |
| 6 | Magazine, capacity 5 cartridges | 1015-1200 | 206 709 | | | Fig. 6 |
| | Magazine, capacity 20 cartridges | 1015-10 | 205 554 | | | |
| 7 | Butt stock locking pin, compl. (2x) | 1013-04.01 | 200 520 | | | |

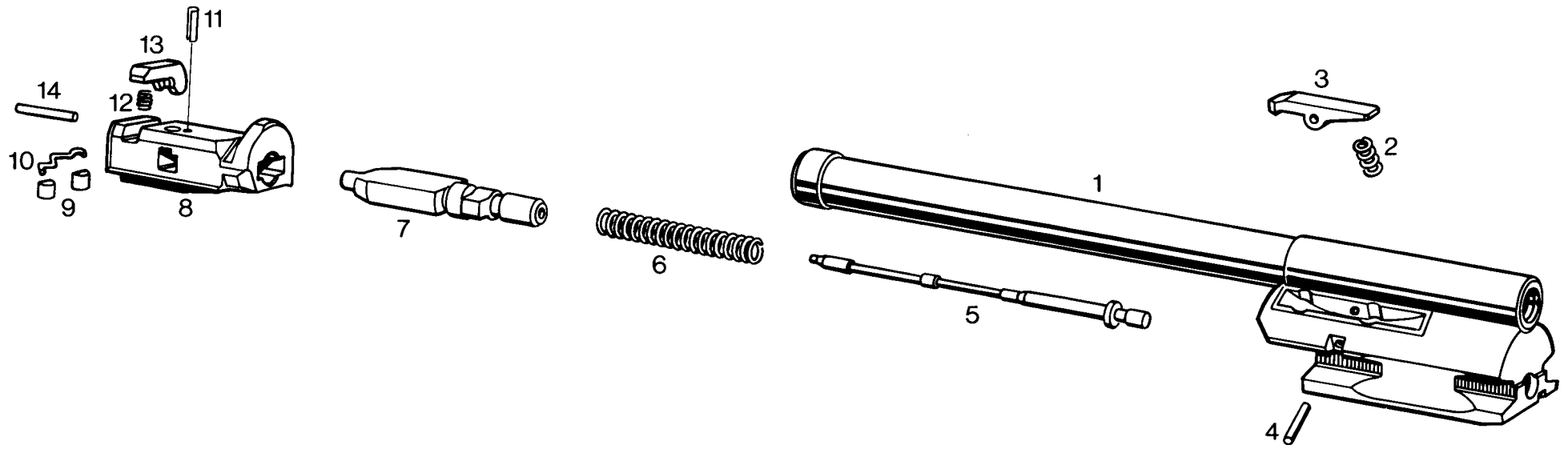
PSG1 Rifle

Receiver with barrel, compl.

Fig. 2

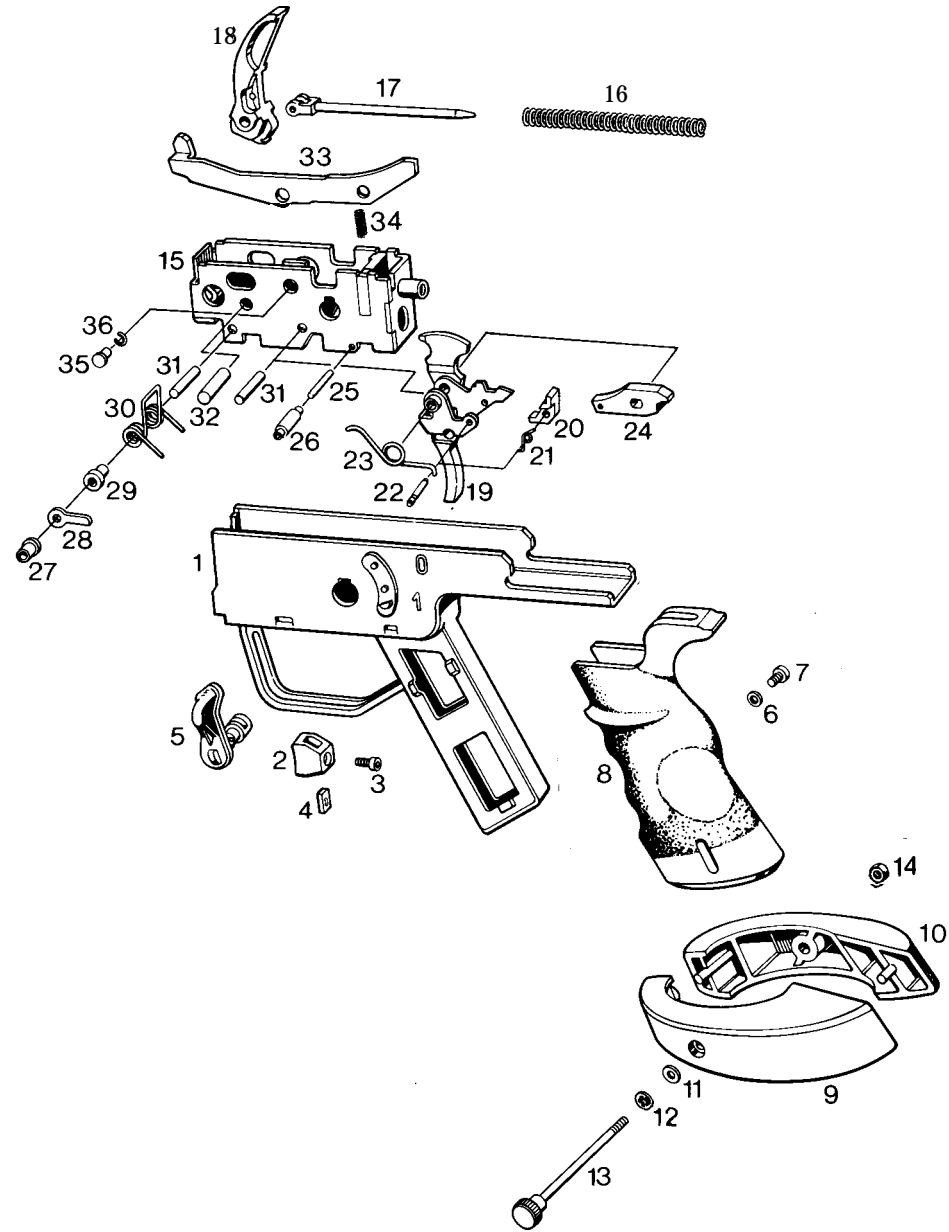


| Item | Parts Designation | Part No. | Ident No. | Qty of parts per 100 arms/ devices | | Remarks |
|------|---------------------------------------|-------------------|-----------|--|---|--|
| 1 | 2 | 3 | 4 | 5 | 6 | 7 |
| 1 | Receiver with barrel | 9233-1100 | 224 745 | | | |
| 2 | Support for cocking lever | 1013-01.36 | 200 402 | | | |
| 3 | Spindle for cocking lever | 1013-01.37 | 200 403 | | | |
| 4 | Elbow spring for cocking lever | 1013-01.42 | 200 404 | | | |
| 5 | Cocking lever, finished part | 100229-01.43 | 224 886 | | | |
| 6 | Magazine catch, compl. | 1013-01.20/1 | 205 618 | | | |
| 7 | Compression spring for magazine catch | 1013-01.25 | 200 393 | | | |
| 8 | Push button for magazine catch | 9211-10000.01 | 202 538 | | | |
| 9 | Dowel pin | DIN 1481 - 2.5x10 | 929 473 | | | |
| 10 | Forward assist | 9231/001-180 | 222 586 | | | |
| 11 | Guide bolt | 9231/001-100.07 | 222 565 | | | |
| 12 | Safety washer | DIN 6799 - 1.9 | 914 231 | | | |
| 13 | Compression spring | 9231/001-100.06 | 222 564 | | | |
| 14 | Hexagon head screw (2x) | 9233-0000.01 | 224 807 | | | No. 9233-1000 does not comprise Pos. 14+15 |
| 15 | Telescope 6 x 42 PSG1 | 330124-0000.000 | 224 785 | | | |




| Item | Parts Designation | Part No. | Ident. No. | Qty of parts per 100 arms/ devices | | Remarks |
|------|---|--------------|------------|--|---|---------|
| 1 | 2 | 3 | 4 | 5 | 6 | 7 |
| | <u>Bolt head carrier, compl.</u> consisting of: Pos. 1 - 4 | 9233-2200 | 224 689 | | | |
| 1 | Bolt head carrier, welded | 9233-2210 | 224 690 | | | |
| 2 | Compression spring for bolt head carrier | 1013-02.16 | 200 453 | | | |
| 3 | Bolt head locking lever | 1013-02.15 | 200 452 | | | |
| 4 | Cylindrical pin 4 m 6 x 18 | 1013-02.18 | 200 454 | | | |
| 5 | Firing pin | 9230-200.01 | 221 187 | | | |
| 6 | Firing pin return spring | 9230-200.02 | 221 188 | | | |
| 7 | Locking piece | 9233-2000.03 | 225 023 | | | |
| 8 | <u>Bolt head, compl.</u> consisting of Pos. 8 - 14 | 9233-2100 | 225 022 | | | |
| 8 | Bolt head | 9233-2100.01 | 225 024 | | | |
| 9 | Locking rollers \emptyset 7.92 mm (2x) | 9233-2100.23 | 225 018 | | | |
| 9.1 | Locking rollers \emptyset 7.94 mm (2x) | 9233-2100.24 | 225 019 | | | |
| 9.2 | Locking rollers \emptyset 7.96 mm (2x) | 9233 2100.25 | 225 020 | | | |
| 9.3 | Locking rollers \emptyset 7.98 mm (2x) | 9233-2100.26 | 225 021 | | | |

| Item | Parts Designation | Part No. | Ident. No. | Qty of parts per 100 arms/ devices | | Remarks |
|------|--|--------------|------------|--|---|---------|
| 1 | 2 | 3 | 4 | 5 | 6 | 7 |
| 9.4 | Locking rollers \emptyset 8.00 mm (2x) | 9233-2100.20 | 225 015 | | | |
| 9.5 | Locking rollers \emptyset 8.02 mm (2x) | 9233-2100.21 | 225 016 | | | |
| 9.6 | Locking rollers \emptyset 8.04 mm (2x) | 9233-2100.22 | 225 017 | | | |
| 10 | Holder for locking rollers | 9230-220.02 | 221 125 | | | |
| 11 | Dowel pin 2 x 6.9 | 1013-02.12 | 200 450 | | | |
| 12 | Compression spring for extractor | 9230-220.05 | 221 198 | | | |
| 13 | Extractor | 9230-220.04 | 221 197 | | | |
| 14 | Cylindrical pin | 9230-220.06 | 221 199 | | | |



| Item | Parts Designation | Part No. | Ident. No. | Qty of parts per 100 arms/ devices | | Remarks |
|------|--|--------------------|------------|--|---|---------|
| 1 | 2 | 3 | 4 | 5 | 6 | 7 |
| 1 | Grip assembly <u>Trigger shoe, compl.</u> consisting of: Pos. 2 - 4 | 9233-3100 | 224 694 | | | |
| | | 9233-3400 | 224 713 | | | |
| 2 | Trigger shoe | 9233-3400.01 | 224 719 | | | |
| 3 | Cheese head screw | 9233-3400.02 | 224 820 | | | |
| 4 | Square nut | DIN 562- M4-04 | 928 699 | | | |
| 5 | Safety, compl. | 9233-3200 | 224 695 | | | |
| 6 | Toothed lock washer | DIN 6797- J 5.3 | 922 616 | | | |
| 7 | Lens head cylindrical screw <u>Grip, compl.</u> consisting of: Pos. 8 14 | DIN 85 - M5x10-8.8 | 928 708 | | | |
| | | 9233-3500 | 224 823 | | | |
| 8 | Grip | 9233-3500.01 | 224 831 | | | |
| 9 | Shell, left | 9233-3500.02 | 224 832 | | | |
| 10 | Shell, right | 9233-3500.03 | 224 833 | | | |
| 11 | Disc | DIN 1440-5-St | 929 149 | | | |
| 12 | Toothed lock washer | DIN 6797 - J 5.3 | 922 616 | | | |

04

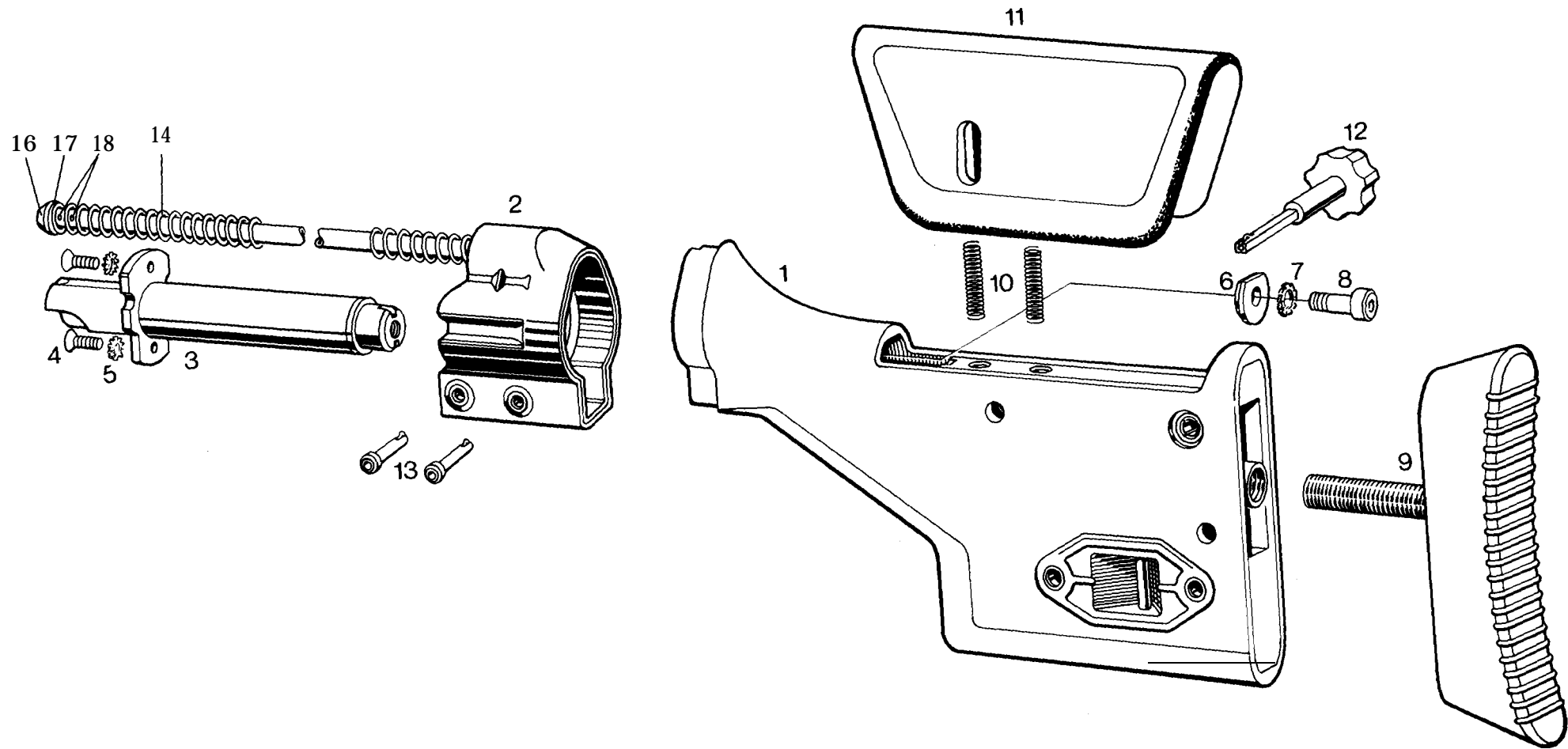
| HECKLER & KOCH  GMBH OBERNDORF/NECKAR | | PSG1 Rifle Grip assembly, compl. | | | Fig. 4 | | Edition: 1a/TD 2380-0485 | |
|--|-------------------------------------|-------------------------------------|------------|--|--------|---------|-----------------------------|--|
| Drawing-No. 9233-3000 | | Ident-No. 224 693 | | Page: 2/3 | | | | |
| Item | Parts Designation | Part No. | Ident. No. | Qty of parts per 100 arms/ devices | | Remarks | | |
| 1 | 2 | 3 | 4 | 5 | 6 | 7 | | |
| 13 | Clamping screw | 9233-3500.04 | 224 834 | | | | | |
| 14 | Hexagon nut | DIN 934-M5-8 | 928 734 | | | | | |
| | <u>Trigger housing, compl.</u> | 9233-3300 | 224 696 | | | | | |
| | consisting of: Pos. 15 - 36 | | | | | | | |
| 15 | Trigger housing, soldered | 9233-3350 | 224 699 | | | | | |
| 16 | Hammer spring | 9233-3300.03 | 224 704 | | | | | |
| 17 | Pressure shank | 9230-315.02 | 222 238 | | | | | |
| 18 | Hammer | 9233-3300.02 | 224 703 | | | | | |
| | <u>Trigger, compl.</u> | 9233-3310 | 224 697 | | | | | |
| | consisting of: Pos. 19 - 22 | | | | | | | |
| 19 | Trigger, welded | 9233-3311 | 224 698 | | | | | |
| 20 | Sear release latch | 9233-3310.01 | 224 707 | | | | | |
| 21 | Elbow spring for sear release latch | 9233-3310.02 | 224 708 | | | | | |
| 22 | Axle for sear release latch | 9234-3330.01 | 224 433 | | | | | |
| 23 | Elbow spring for trigger | 9233-3300.05 | 224 705 | | | | | |
| 24 | Sear, compl. | 9233-3320 | 224 701 | | | | | |

| Item | Parts Designation | Part No. | Ident No. | Qty of parts per 100 arms/ devices | | Remarks |
|------|--|-------------------|-----------|--|---|----------------|
| 1 | 2 | 3 | 4 | 5 | 6 | 7 |
| 25 | Axle | 9234-3300.07 | 224 423 | | | |
| 26 | Bush | 9233-3300.81 | 224 493 | | | without groove |
| 27 | Bush | 9233-3300.09 | 224 826 | | | |
| 28 | Finger | 100229/10-3300.04 | 205 718 | | | |
| 29 | Bush | 9233-3300.10 | 224 827 | | | |
| 30 | Elbow spring | 9233-3300.06 | 224 706 | | | |
| 31 | Axle for trigger, sear and finger (2x) | 1013-03.40 | 200 482 | | | |
| 32 | Hammer spindle | 1013-03.61 | 200 494 | | | |
| 33 | Ejector | 9233-3300.01 | 224 702 | | | |
| 34 | Ejector pressure spring | 1013-03.37 | 200 478 | | | |
| | <u>Ejector spindle, compl.</u> | 1013-03.33 | 200 479 | | | |
| | consisting of: Pos. 35 + 36 | | | | | |
| 35 | Ejector spindle | 1013-03.35 | 200 480 | | | |
| 36 | Spring ring | 1013-03.34 | 200 481 | | | |

Fig. 5

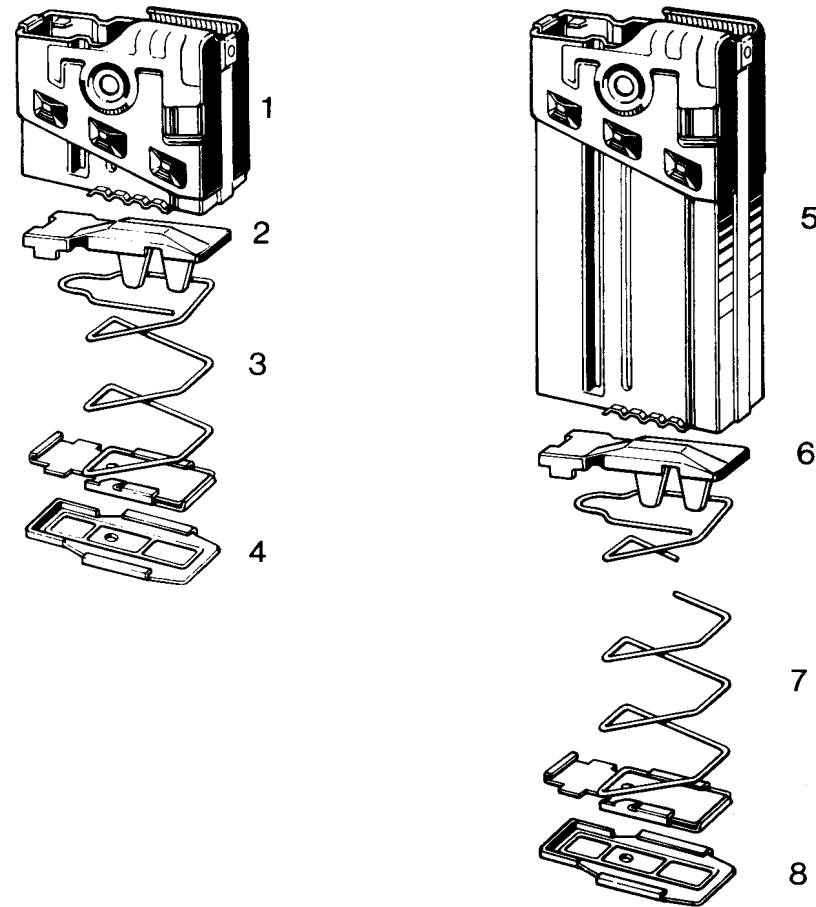
Butt stock, compl.

PSG 1 Rifle



| Item | Parts Designation | Part No. | Ident No. | Qty of parts per 100 arms/ devices | | Remarks |
|------|---|------------------|-----------|--|---|--|
| 1 | 2 | 3 | 4 | 5 | 6 | 7 |
| 1 | Butt stock, finished | 9233-4900 | 225 231 | | | |
| 2 | Back plate, compl. | 100229/10-410.40 | 206 282 | | | |
| 3 | Buffer SK 37 | 1013-410.550/41 | 200 883 | | | |
| 4 | Countersunk screw, self-locking for buffer (2x) | 1013-041.31 | 200 543 | | | |
| 5 | Toothed lock washer (2x) | DIN 6798 - V 5.3 | 922 615 | | | |
| 6 | Disc | 9230-400.01 | 221 224 | | | |
| 7 | Toothed lock washer | DIN 6798 - J 8.4 | 922 614 | | | |
| 8 | Cylinder head screw | 9233-4000.05 | 224 735 | | | |
| 9 | Butt plate | 9233-4300 | 224 724 | | | |
| 10 | Compression spring (2x) | 9233-4000.04 | 224 727 | | | |
| 11 | Cheek rest, compl. | 9233-4200 | 224 723 | | | |
| 12 | Adjusting key, compl. | 9233-4500 | 224 802 | | | |
| 13 | Locking pin (2x) | 1013-04.01 | 200 520 | | | No. 9233-4000 does not comprise Pos. 13 |
| 14 | Recoil spring | 1013-04.08 | 200 525 | | | |
| 15 | <u>Spare parts for back plate</u> consisting of Pos. 15 - 18 | St 1013-200 | 200 992 | | | |

| Item | Parts Designation | Part No. | Ident. No. | Qty of parts per 100 arms/ devices | | Remarks |
|------|------------------------------|------------|------------|--|---|---------|
| 1 | 2 | 3 | 4 | 5 | 6 | 7 |
| 16 | Stop pin for recoil spring | 1013-04.09 | 200 523 | | | |
| 17 | Guide ring for recoil spring | 1013-04.10 | 200 524 | | | |
| 18 | Riveting pin (2x) | 1013-04.11 | 200 526 | | | |



| Item | Parts Designation | Part No. | Ident. No. | Qty of parts per 100 arms/ devices | | Remarks |
|------|---|------------------|----------------|--|---|---------|
| 1 | 2 | 3 | 4 | 5 | 6 | 7 |
| | <u>Magazine, capacity 5 cartridges</u> | 1015-1200 | 206 709 | | | |
| 1 | Magazine housing, compl. | 1015-1210 | 206 710 | | | |
| 2 | Follower, compl. | 1015-1220 | 206 714 | | | |
| 3 | Follower spring with safety plate | 1015-1230 | 206 716 | | | |
| 4 | Magazine floor plate | 1015-11.10 | 200 587 | | | |
| | <u>Magazine, capacity 20 cartridges</u> | 1015-10 | 205 554 | | | |
| 5 | Magazine housing, compl. | 1015-10.04 | 205 555 | | | |
| 6 | Follower, compl. | 1015-01.12 | 200 595 | | | |
| 7 | Follower spring with safety plate | 1015-10.02 | 206 659 | | | |
| 8 | Magazine floor plate | 1015-11.10 | 200 587 | | | |