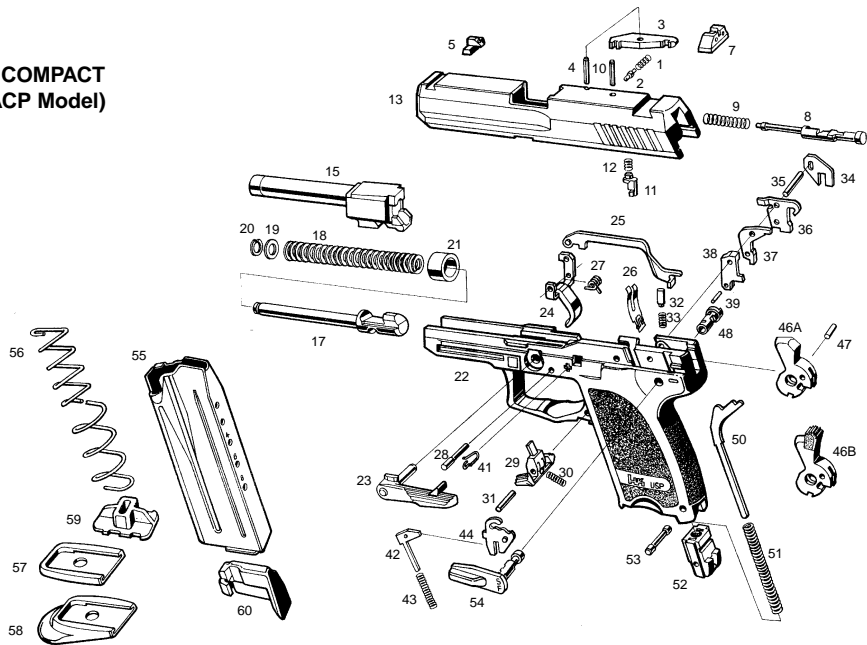


**USP COMPACT
(.45 ACP Model)**



USP Compact Parts List (.45 ACP Model)

Item	Description	Identification No.	Item	Description	Identification No.	Item	Description	Identification No.
1	Extractor spring	214188	25	Trigger bar .45	215924		Hammer, spurred (variant 9, 10)	214687
2	Rubber plug, extractor spring	215801	26	Flat spring	214167	47	Roll pin, hammer	926066
3	Extractor .45	215864	27	Trigger rebound spring	214164	48	Hammer axle (v.1-6, 9,10)	214744
4	Roll pin, ISO 8748 - 3 X 14mm (extractor)	980838	28	Trigger axle	214154	49	Hammer axle DA (variant 7)	214258
5	Front sight* (6.0 mm)	214804	29	Magazine release	214818	50	Hammer strut	214809
	Front sight* (6.2 mm) standard	214803	30	Magazine release spring	215929	51	Hammer spring	215694
	Front sight* (6.4 mm)	214945	31	Magazine release axle	980838	52	Lanyard loop insert	214341
	Front sight* (6.6 mm)	214944	32	Trigger bar detent	214165	53	Lanyard loop insert pin	215829
	Front sight* (6.8 mm)	214943	33	Trigger bar detent spring	214166	54	Control lever (variant 1, 5, 9)	215818
	Front sight* (7.0 mm)	214942	34	Disconnecter	214840		Control lever (variant 2, 6, 10)**	215855
	Front sight* (7.2 mm)	214941	35	Sear axle	214101		Control lever (variant 3)**	215858
	Front sight* (7.4 mm)	214940	36	Catch	214773		Control lever (variant 4)**	215872
7	Rear sight*	214356	37	Sear, complete (variant 1-4, 9, 10)**	214179	55	Magazine housing (.45 cal., 8-rd)	215934
8	Firing pin	215928	38	Sear (variant 1-4, 9, 10)	214180	56	Magazine spring (.45 cal, 8-rd)	214412
9	Firing pin spring	215822	39	Sear pin (variant 1-4, 9, 10)	982785	57	Floor plate (.45 cal., 8-rd.)	215936
10	Roll pin, ISO 3 X 14mm	980838	40	Control latch**	214817	58	Extended floor plate (.45 cal., 8-rd.)	215985
11	Firing pin block	215935	41	Shaped spring (slide release)	214171	59	Locking plate (.45 cal., 8-rd.)	215937
12	Firing pin block spring	214192	42	Slide plate (variant 1-6, 9, 10)	214105	60	Follower (.45 cal., 8-rd.)	215938
13	Slide (.45 ACP)	215927	43	Compression spring	214104	61	Magazine complete (.45 cal., 8-rd.)**	215933
14	Slide complete (.45 ACP)**	215926	44	Detent plate (variant 1 & 2)	214949		Magazine complete (.45 cal., 8-rd., with extended floorplate)**	215984
15	Barrel (.45 ACP)	215921		Detent plate** (variant 3 & 4)	214254			
16	Recoil spring assembly complete with captive spring (.45 ACP)**	215930		Detent plate** (v. 5, 6, 9, & 10)	214255			
17	Recoil spring guide rod (.45)	215931	45	Tube (variant 5, 6, 7)**	214413			
18	Recoil spring	215830	46	Hammer, bobbed, complete (variant 1, 2, 3, 4)**	215692		**Not pictured in diagram	
19	Recoil spring retainer	215831		Hammer, bobbed (variant 1, 2, 3, 4)	214693			
20	Spring ring	986788	46A	Hammer, bobbed, complete (variant 5, 6, 7)**	214744			
21	Absorber bushing	215932		Hammer, bobbed (v. 5, 6, 7)**	214745			
22	Frame .45 ACP	215923	46B	Hammer, spurred, complete (variant 9, 10)**	214825			
	Frame (complete) .45 ACP**	215922						
23	Slide release	215814						
24	Trigger	215816						