



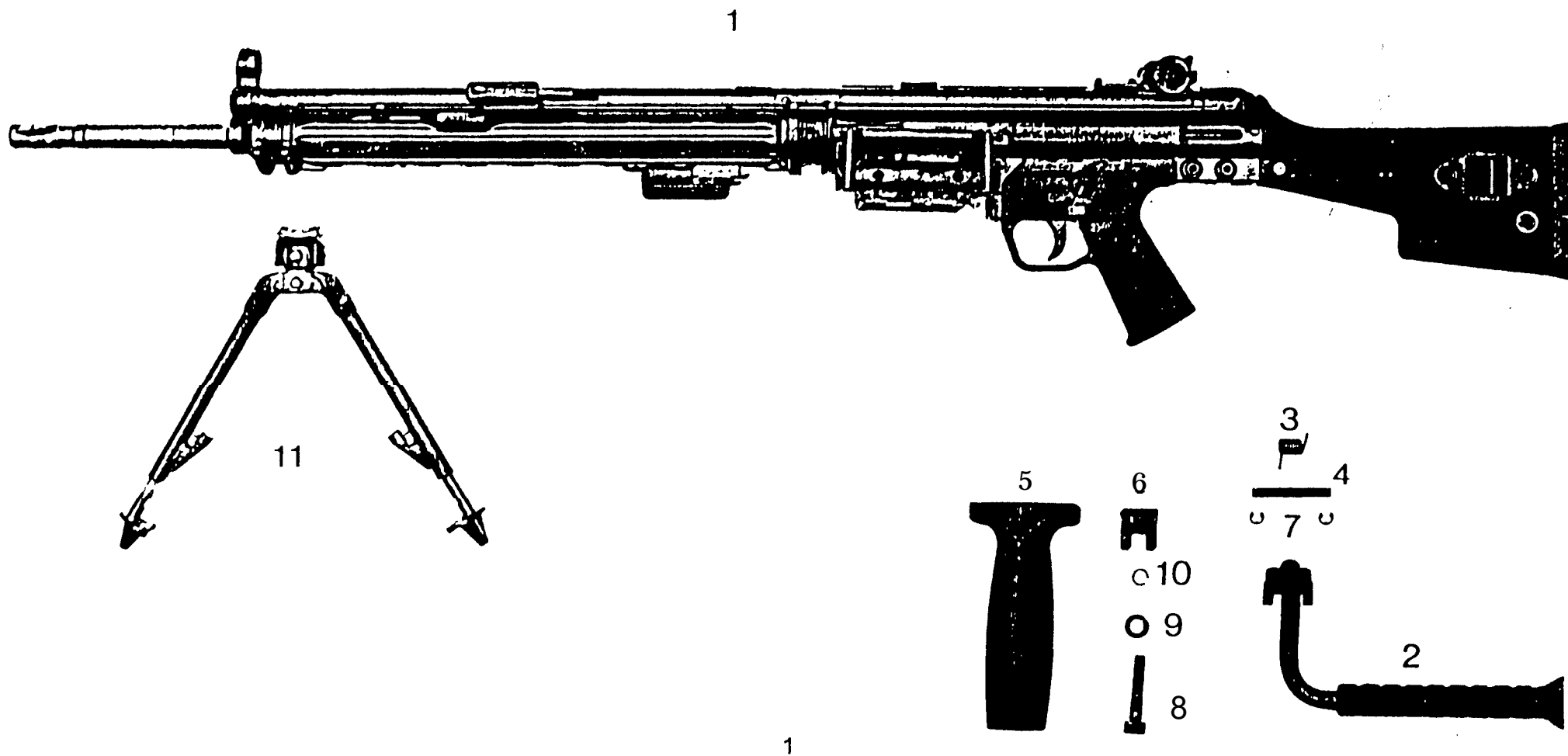
HECKLER & KOCH, INC.
Federal Operations Department

1998 Parts List
HK21 E

<u>Illustration #</u>	<u>Description</u>
1	HK21 E, Complete
2	Assembly Groups
3	Receiver Group
4	Bolt Group
5	Recoil spring guide rod assembly
6	Trigger Group
7	Buttstock
8	Barrel
9	Belt feed unit
10	Bipod
11	Accessories
12	Special tools, gauges and fixtures

Please refer to the current HK US Government & Law Enforcement Dealer Price List for a complete listing of accessories, cleaning and instructional materials, and miscellaneous items for HK products.

February 1998



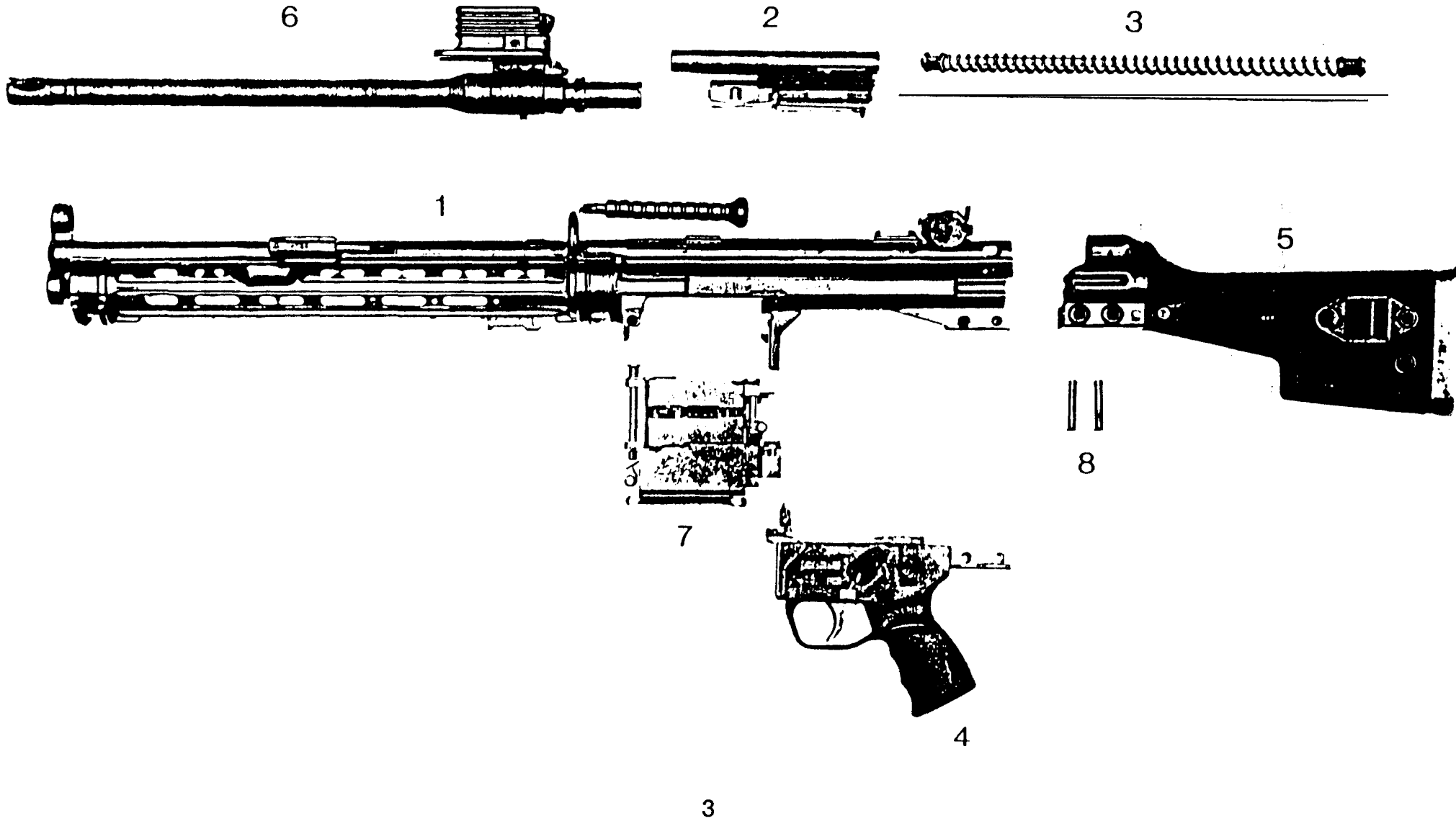
HK21 E, Complete

Item #	Parts Description	Part #
1	HK21E, belt-fed machine gun, 7.62 X 51 mm NATO, shipped with sling, bipod, assault grip, muzzle cap, pistol grip cleaning kit, and operators manual (1 barrel)	094000
2	Carrying handle	222555
3	Elbow spring, carrying handle	222553
4	Axle, carrying handle	222554
5	Assault grip, compl. (items 5,6,8,9,10). Old style, requires hex key (limited availability) Out of Production; see item## 228374 below.	202513
5	Assault grip, compl., new style, requires no hex key	228374
6	Locking plate, assault grip	202514
7	Safety washer, carrying handle	926005
8	Cylinder head screw, assault grip	928084
9	Spring washer, assault grip	928086
10	Spring ring, assault grip	929191
11	Bipod, compl., new style, adjustable legs	222755
+	Bipod, old style, non-adjustable legs	200150
◆	Carrying sling, compl.	222515

◆ Denotes item(s) not pictured in illustration

⚡ Please call for price and availability

Assembly Groups

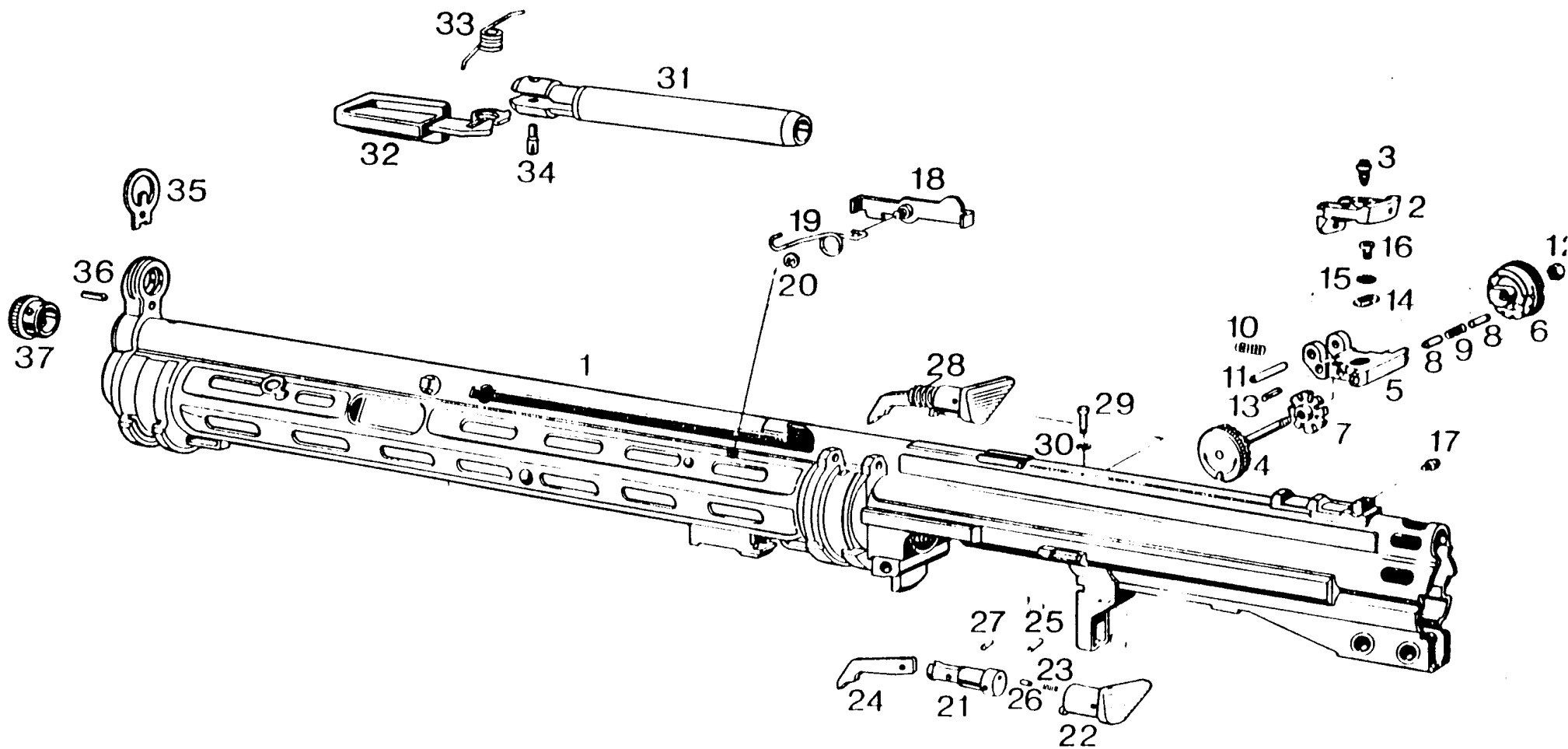


Assembly Groups

Item #	Parts Description	Part #
1	Receiver, compl.	222561
2	Bolt Group, compl. (w/o recoil spring guide rod), old style	222527
3	Recoil spring guide rod assembly, compl.	228149
4	Trigger group, compl.	222508
5	Butt stock, compl.	222600
6	Barrel, compl., 560 mm (22")	22244 1
◆	Barrel, compl., 450mm (17.72") for HK 1 E/21 E	222511
7	Belt feed unit, compl., old style Belt feed unit, compl., new style	222788 215089
8	Locking pin, large for butt stock	200520

◆ Denotes item(s) not pictured in illustration
☎ Please call for price and availability

Receive Group



Receiver Group

Item #	Parts Description	Part #
1	Receiver, incompl., w/o parts	222562
◆	Rear sight, compl., consisting of items 2 - 13	222438
2	Rear sight aperature	222405
3	Elevation adjustment screw	221181
4	Windage drum	222409
5	Rear sight support	222399
6	Elevation drum, compl.	222435
7	Adjusting ring	222402
8	Plunger, detent	222403
9	Compression spring, catch pin	222404
10	Compression spring	221175
11	Riveting pin, 3h9 X 26	929752
12	Lock nut, M5 X 6mm	928688
13	Slotted pin, 2.5 X 8mm	928689
14	Washer for rear sight support	200371
15	Toothed lock washer, A5.3mm	922617
16	Clamping screw, rear sight mounting	222236
17	Windage adjustment screw	200384
18	Barrel safety catch, compl.	222343
19	Elbow spring, barrel safety catch	222331

◆ Denotes item(s) not pictured in illustration

☐ Please call for price and availability

Receiver Group [cont.)

Item #	Parts Description	Part #
20	Washer, barrel safety	971746
◆	Forward assist, compl., consisting of items 21 - 27	222586
21	Closing plug	222566
22	Knob, forward assist	222597
23	Spring, forward assist	222567
24	Forward assist pawl	222568
25	Clamping sleeve, 2 X 12mm	928690
26	Cylindrical pin, 2m 6x6	971591
27	Cylindrical pin, 2.5 mm 6x6	928679
28	Compression spring, forward assist	222564
29	Guide bolt, forward assist	222565
30	Safety washer, forward assist	914231
31	Cocking lever support, compl., HK21 E	222341
32	Cocking lever, compl., HK21 E	221100
33	Elbow spring, cocking lever	221141
34	Notched pin, cocking lever	221140
35	Front sight blade	200838
36	Clamping sleeve, front sight, 4 X 12mm	922609
37	Cap, cocking lever tube, compl.	206497

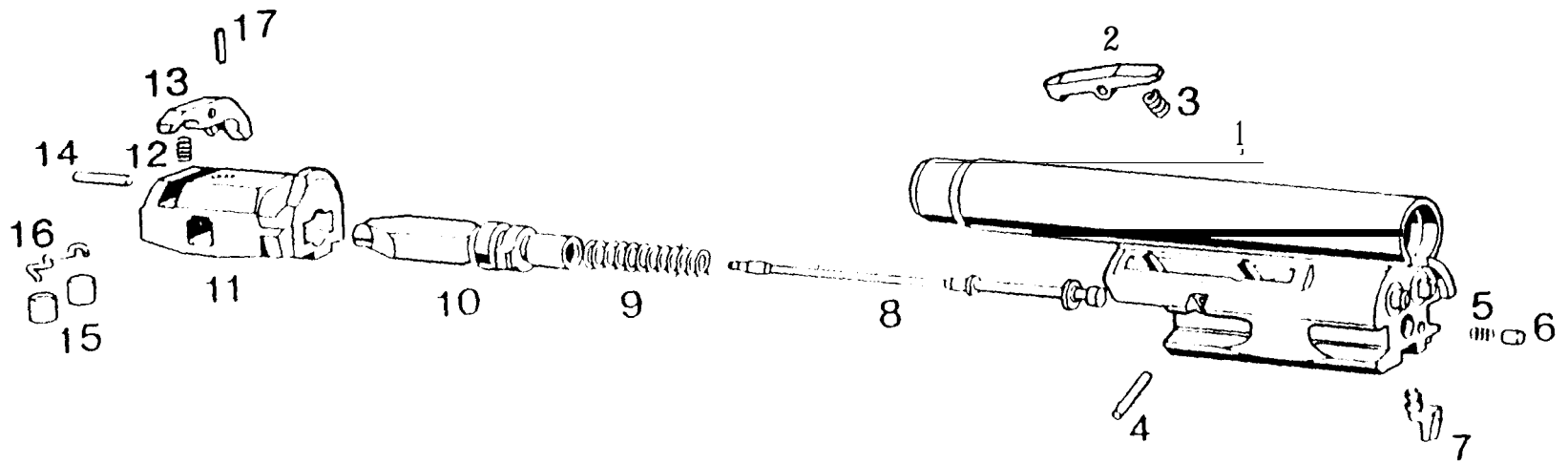
+ Denotes item(s) not pictured in illustration

☞ Please call for price and availability

HK21E

Bolt Group

Machine Gun



Bolt Group

item #	Parts Description	Part #
◆	Bolt head carrier, compl. consisting of items 1 - 7	222522
1	Bolt head carrier, incompl.	222521
2	Bolt head locking lever	200452
3	Compression spring for locking lever	200453
4	Cylindrical pin, locking lever	200454
5	Compression spring for disconnecter	200383
6	Bush	221191
7	Disconnecter, bolt, HK21E	221192
8	Firing pin, HK21E	222551
9	Firing pin spring, HK21E	221188
10	Locking piece, #17, 36°, HK21E	228142
10	Locking piece, #9, 40°, HK21E (preferred over #17)	222102
◆	Bolt head, compl., old style consisting of items 11 - 17	221186
◆	Bolt head, compl., new style consisting of items 11 - 17	215087
11	Bolt head, incompl., old style	221196
12	Extractor spring	221198
13	Extractor, old style Extractor, new style, polished	221197 221197N
14	Cylindrical pin, extractor	221199

◆ Denotes item(s) not pictured in illustration
 ☞ Please call for price and availability

Machine Gun

Bolt Group (cont.)

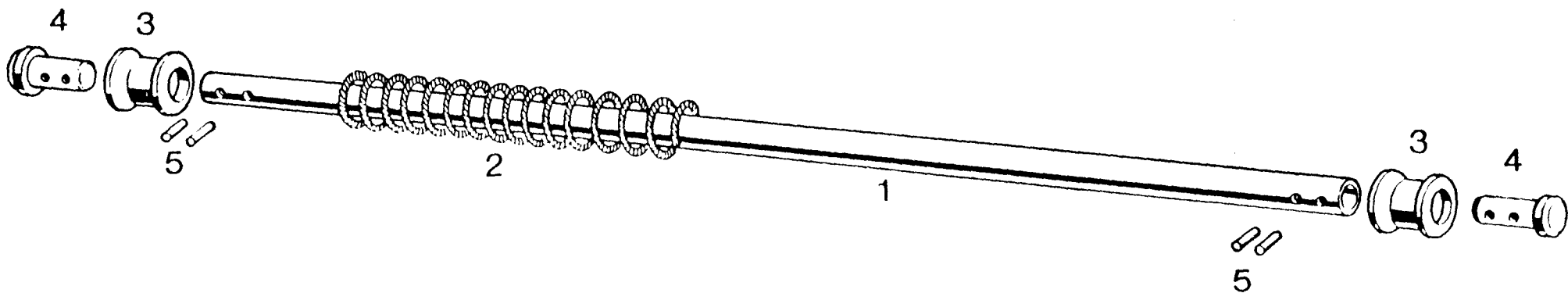
Item #	Parts Description	Part #
15	Locking rollers (marking)	
	‡7.92 mm (-8)	222487
	‡7.94 mm (-6)	222486
	‡7.96 mm (-4)	200007
	‡7.98 mm (-2)	222232
	‡8.00 mm (no marking)	200446
	‡8.02 mm (1)	200447
	‡8.04 mm (11)	200448
16	Holder for locking rollers, wire	221125
17	Clamping sleeve, for locking roller holder	200450

◆ Denotes item(s) not pictured in illustration
 ‡ Please call for price and availability

HK21E

Machine Gun

Recoil spring guide rod assembly

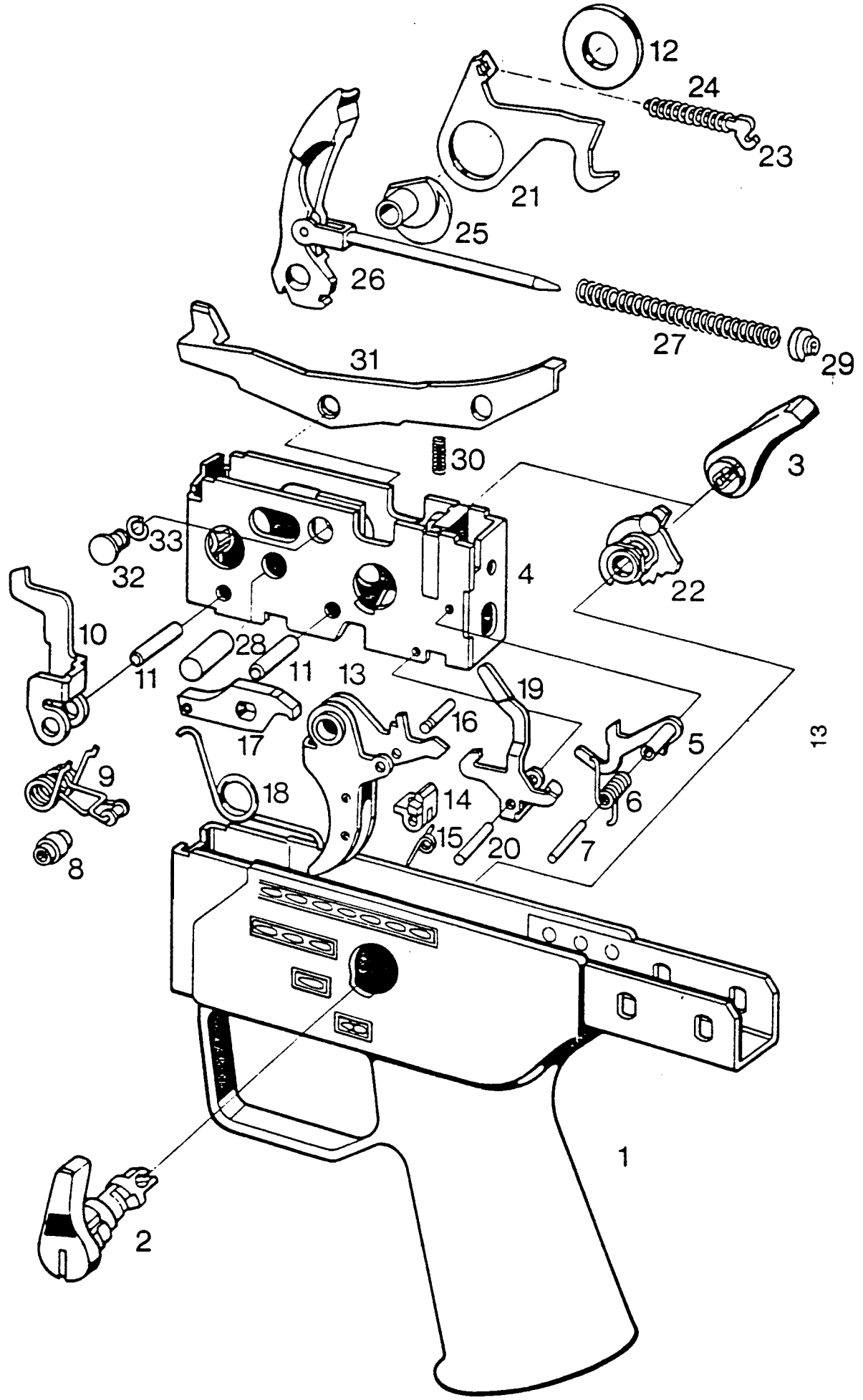


Recoil spring guide rod assembly

Item #	Parts Description	Part #
1	Recoil spring guide rod, incompl.	221237
2	Recoil spring	228148
3	Guide rings	228147
4	Stop pins	221240
5	Riveting pins	221241

◆ Denotes item(s) not pictured in illustration
 ☎ Please call for price and availability

T gge Group



Trigger Group

Item #	Parts Description	Part #
1	Pistol grip, plastic shell only	222507
2	Safety/selector lever, left, w/ axle, compl	225087
3	Safety/selector lever, right, compl.	225089
◆	Trigger mechanism, compl. consisting of items 4 - 33	222506
4	Trigger housing, brazed	224448
5	Holding jack	224445
6	Elbow spring for holding jack	224426
7	Axle for holding jack	224424
8	Distance sleeve for catch	200504
9	Elbow spring with roller, sear/catch	200505
10	Catch	224422
11	Axle for trigger, sear and catch	200482
12	Disk	224419
◆	Trigger, compl. consisting of items 13 - 16	224432
13	Trigger, welded, incompl.	224436
14	Sear release latch, incompl.	224435
15	Elbow spring	224434
16	Axle	224433
17	Sear, compl.	224439
18	Elbow spring, trigger	224480

◆ Denotes item(s) not pictured in illustration

☞ Please call for price and availability

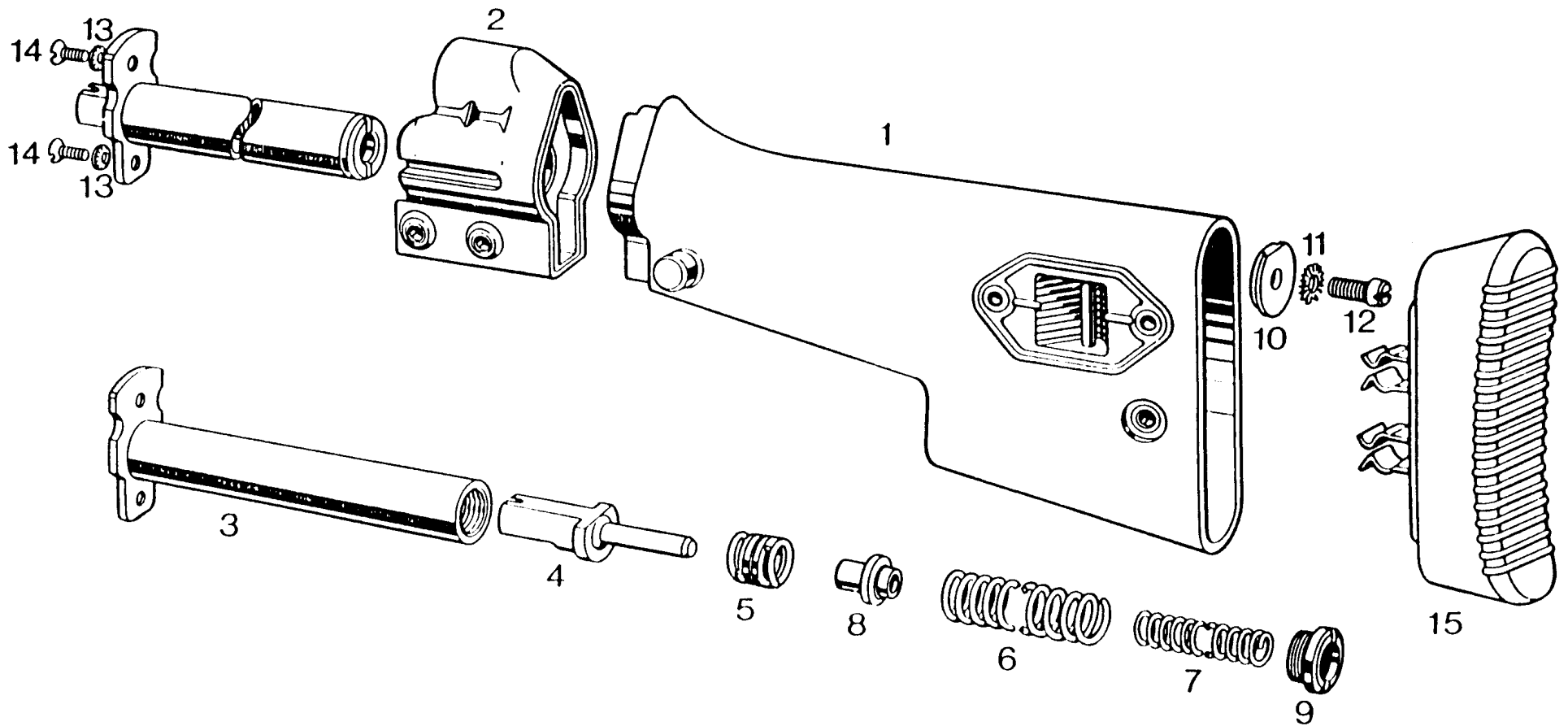
Trigger Group (cont.)

Item #	Parts Description	Part #
19	Catch lever	224425
20	Axle	224423
21	Shifter rod, compl.	224429
22	Counter wheel, compl.	224441
23	Spring rod	224421
24	Compression spring for ejector	224420
25	Eccentric bushing	224418
26	Hammer, compl.	224427
27	Compression spring	222639
28	Axle for hammer	200494
29	Bush	224996
30	Compression spring for ejector	221206
31	Ejector	221207
◆	Axle for ejector, compl. consisting of items 32 + 33	200479
32	Axle for ejector, incompl. (w/o spring ring)	200480
33	Spring ring for ejector axle	200481

◆ Denotes item(s) not pictured in illustration

☎ Please call for price and availability

Buttstock



Buttstock

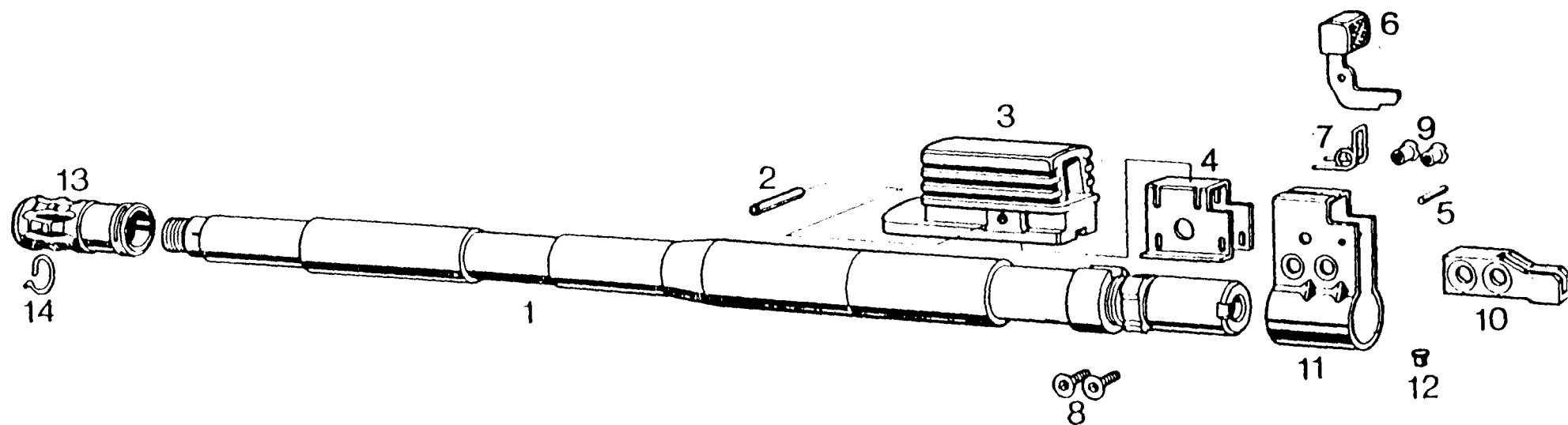
Item #	Parts Description	Part #
1	Buttstock, incompl., plastic shell only	221222
2	Back plate, compl.	221220
◆	Buffer assembly, compl., consisting of items 3 - 9, old style - round spring	222603
◆	Buffer assembly, compl., consisting of items 3 - 9, new sytle - flat spring	222603N
3	Buffer housing	222601
4	Buffer bolt	222602
5	Buffer spring with brake rings	200892
6	Compression spring, outside	221229
7	Compression spring, inside	221230
8	Buffer bushing	221345
9	Buffer closure screw	221231
10	Disk	221224
11	Toothed lock washer	922614
12	Cylinder head screw	929877
13	Toothed lock washer	922615
14	Countersunk screw, self-locking, for buffer	200543
15	Butt plate, rubber, compl.	221223

◆ Denotes item(s) not pictured in illustration
 ☎ Please call for price and availability

HK21E

Barrel

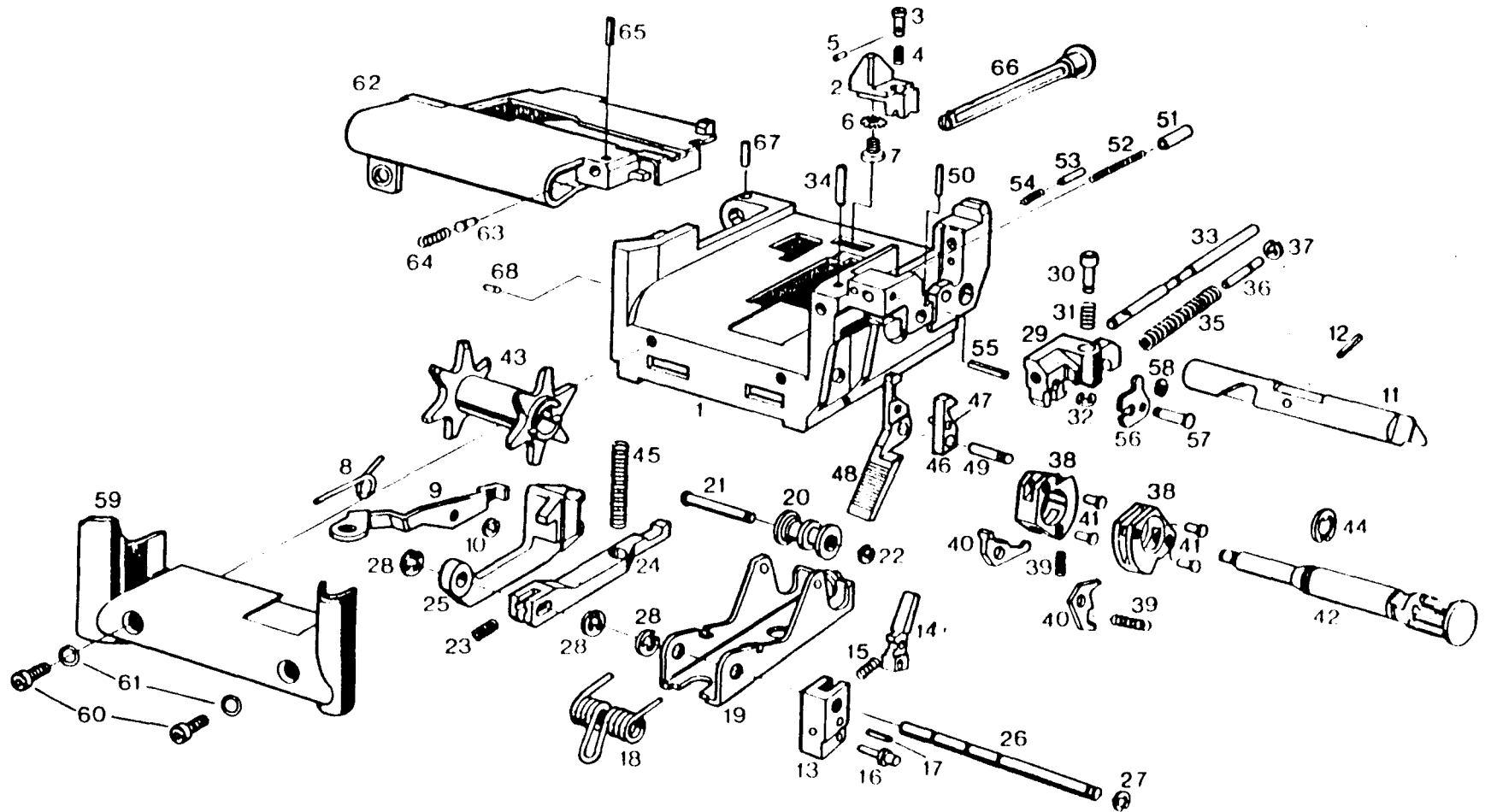
Machine Gun



Barrel

Item #	Parts Description	Part #
1	Barrel, incompl., 22", 1 in 12" twist	222432
2	Clamping sleeve, barrel grip	92976 1
3	Grip, barrel, HK21E	222493
4	Protective lining, barrel grip	221248
5	Cylindrical pin, 11 X 12 mm	928141
6	Locking lever, compl.	221242
7	Elbow spring, barrel locking lever	221247
8	Countersunk screws, M6 X 12 mm	928142
9	Screw sockets	221246
10	Inlay	221245
11	Grip holder	221244
12	Setbolt	222352
◆	<u>Flash hider</u> , compl., consisting of items 13 + 14	200368
13	Flash hider, incompl.	200369
14	Retaining spring, flash hider	200370

Belt feed unit



Belt feed unit

Item #	Parts Description	Part #
◆	Belt feed unit housing, compl., consisting of items 1 - 61	222457
1	Belt feed unit housing, incompl.	222458
◆	Cartridge stop, compl., consisting of items 2 - 5	222502
2	Cartridge stop	222503
3	Cartridge stop pin	222504
4	Compression spring, cartridge stop	221290
5	Clamping sleeve, cartridge stop pin, 1 X 5 mm	928735
6	Toothed lock washer, 5.3 mm	922617
7	Binding screw	200372
8	Elbow spring, locking lever	221271
9	Locking lever	222505
10	Circlip, 3.2 mm	926005
11	Control bolt	221272
12	Clamping sleeve, control bolt	929091
◆	Pawl holder, compl., consisting of items 13 - 17	222092
13	Pawl holder, incompl.	221300
14	Pawl	222093
15	Compression spring, pawl	221302
16	Axle, pawl	221303

◆ Denotes item(s) not pictured in illustration

☛ Please call for price and availability

Belt feed unit (cont.)

Item #	Parts Description	Part #
17	Clamping sleeve, 2 X 8 mm	925001
18	EI bow spring, follower	221276
◆	Follower, compl., consisting of items 19 - 22	221259
19	Follower, brazed, incompl.	221295
20	Roller	221296
21	Roller axle	221297
22	Circlip, 3.2 mm	926005
23	Compression spring, stud	221294
24	Stud	221275
25	Cartridge feed lever	221273
26	Axle, pawl/follower/stud/cartridge feed lever	221277
27	Circlip, 4.0 mm	971748
28	Circlip, 5.0 mm	971749
◆	Slide, compl., consisting of items 29 - 32	222365
29	Slide	222366
30	Slide bolt	221293
31	Compression spring, slide bolt	221294
32	Circlip, 2.3 mm	971746
33	Guide pin	221267
34	Clamping sleeve, 2.5 X 10 mm	922608

◆ Denotes item(s) not pictured in illustration

☞ Please call for price and availability

Belt feed unit (cont.1)

item #	Parts Description	Part #
35	Compression spring, slide	221269
36	Guide pin	221268
37	Circlip, 3.2 mm	926005
38	Control rings	222357
39	Compression spring, pawl	221279
40	Pawl	222358
41	Pressure bolt, control rings	222359
42	Feed shaft	222360
43	Sprocket wheel	222259
44	Circlip, 8.0 mm	971751
45	Compression spring, stud	221269
◆	Catch, compl., consisting of items 46 + 47	221257
46	Catch, incompl.	221291
47	Clamping sleeve for catch	925001
48	Catch lever	222355
49	Pin for catch & catch lever	221266
50	Clamping sleeve, pressure bolt retaining, 1.5 X 8 mm	971919
51	Pressure bolt, catch	221263
52	Compression spring, pressure bolt	221261
53	Cylindrical pin, 3 mm	929296

◆ Denotes item(s) not pictured in illustration
 ☞ Please call for price and availability

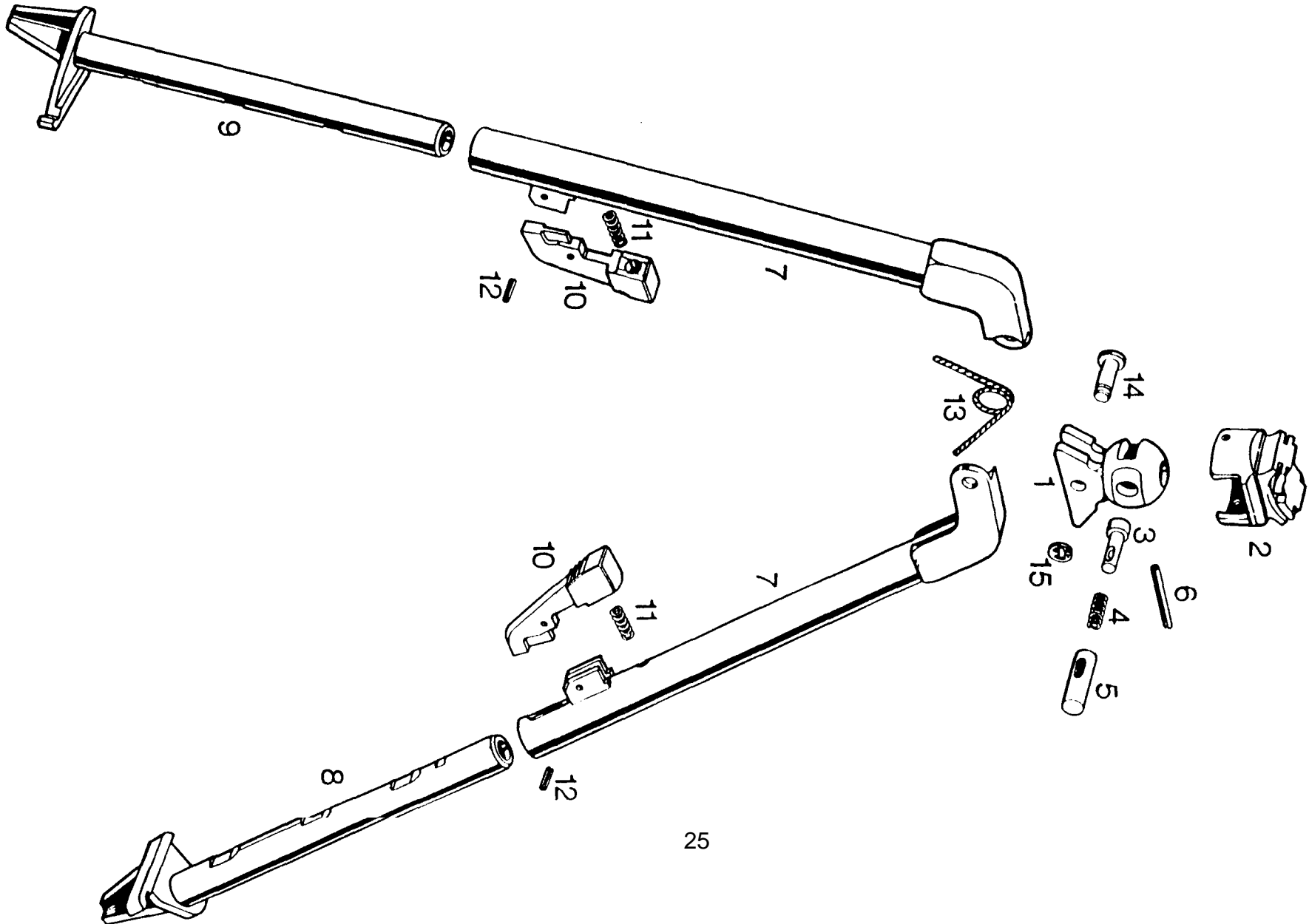
Belt feed unit (cont.)

item #	Parts Description	Part #
54	Compression spring	221262
55	Clamping sleeve, 2.5 X 14 mm	926015
56	Shift lever	222361
57	Bearing plug	222362
58	Circlip, 4.0 mm	971748
59	Belt inlet	222593
60	Cylinder head screw, belt inlet	222726
61	Spring washer for #222276, 4 mm	971977
◆	Cartridge guide, compl., consisting of items 62 - 65	221252
62	Cartridge guide, welded, incompl.	221304
63	Catch bolt, cartridge guide	221305
64	Compression spring, catch bolt #221305	221306
65	Clamping sleeve, catch bolt, 2 X 8 mm	925001
66	Socket pin, compl.	222500
67	Clamping sleeve, socket pin retaining, 2 X 10 m m	928406
68	Clamping sleeve, 2 X 5 mm	925000

◆ Denotes item(s) not pictured in illustration

☎ Please call for price and availability

Bipod (Adjustable)



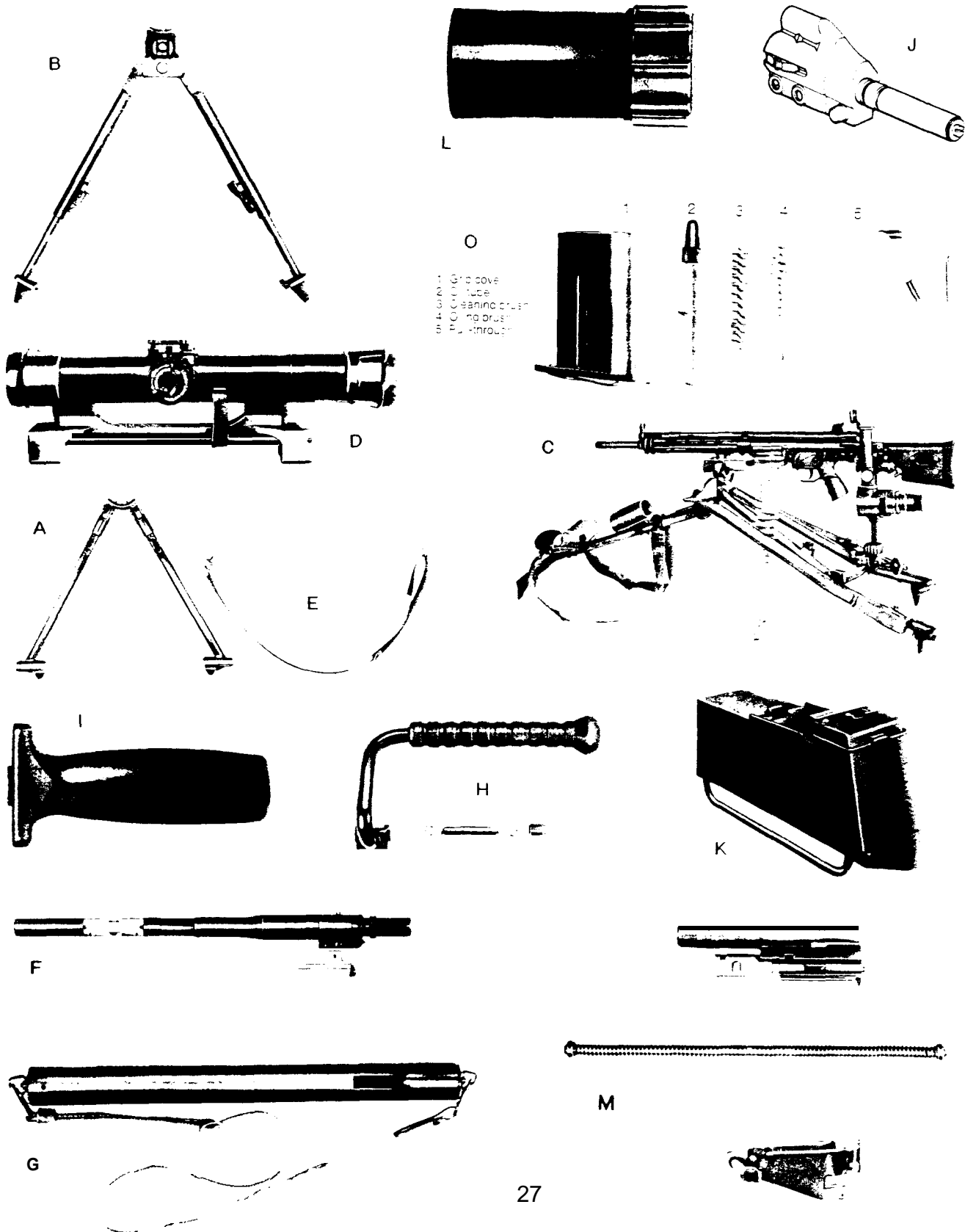
Bipod

Item #	Parts Description	Part #
◆	Head bearing, compl., consisting of items 1 - 6	222756
1	Head bearing, incompl.	222757
2	Bearing box	222758
3	Stop pin	222759
4	Compression spring, spring bolt	222760
5	Spring bolt	222761
6	Clamping sleeve, spring bolt	929617
◆	Bipod leg, right, compl., consisting of items 7, 8, 10 - 12	222762
◆	Bipod leg, left, compl., consisting of items 7, 9 - 12	222773
7	Bipod leg, incompl.	222763
8	Spur, right, compl.	222764
9	Spur, left, compl.	222774
10	Catch lever, bipod leg	222766
11	Compression spring, catch lever	222765
12	Clamping sleeve, catch lever	928696
13	Elbow spring, bipod legs	222776
14	Axle, bipod leg	222777
15	Circlip, 6 mm	971750

◆ Denotes item(s) not pictured in illustration

☛ Please call for price and availability

Accessories



Accessories

Item #	Parts Description	Part #
A	Bipod (old style, non-adjustable legs)	200150
B	Bipod (new style, adjustable legs)	222755
◆	Tripod, Ground mount	225187
C	Mount, Field, Model 1102	208720
D	Scope mount (w/o rings)	224592
◆	Scope mount (w/ 30 mm rings & mounting screws)	700400
◆	30 mm Holding rings for mount w/ mounting screws (set of 2 rings complete)	700571
◆	Beta front sight with tritium dot (includes ring)	700126
E	Carrying sling	222515
F	Blank firing barrel, 7.62 X 51 mm NATO, with carrier with sling	222725
G	Spare barrel carrier for HK21E 22" barrel	222789
G	Spare barrel carrier for 17.7" HK11E/21E/23E barrels	222699
H	Carrying handle	222555
◆	Sight adjustment tool	300009
I	Assault grip (New style, requires no hex key)	228374
J	Back plate assembly, compl.	222648
◆	Ammo belt, 50 round, DM1 non-disintegrating belt, 7.62 X 51 mm NATO for use with old-style belt feed mechanisms	928683

◆ Denotes item(s) not pictured in illustration

☎ Please call for price and availability

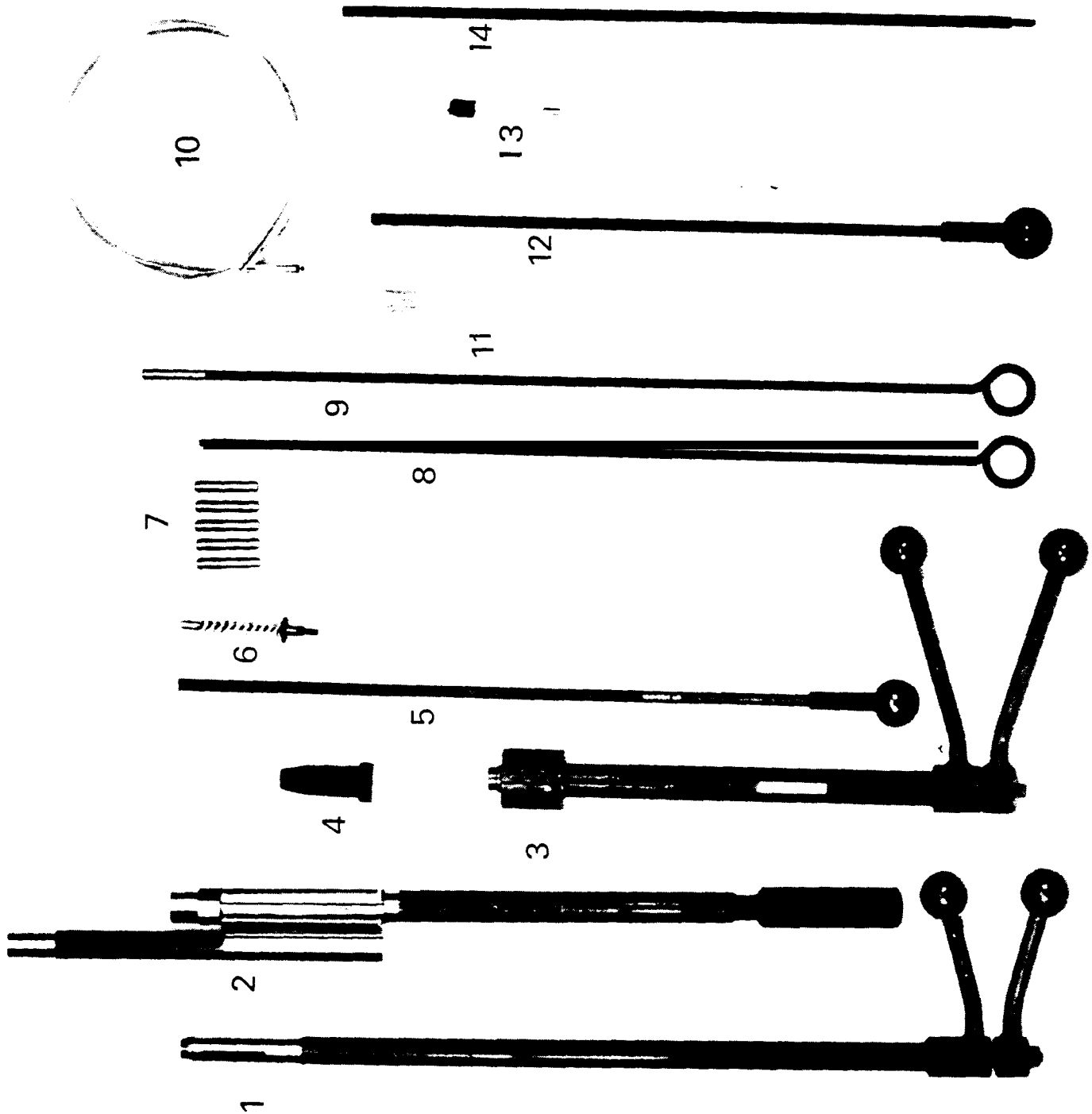
Accessories (cont.)

Item #	Parts Description	Part #
◆	50-round drum magazine for HK11 E (limited availability)	228584
◆	Cartridge case deflector with detachable collection bag	231872
◆	Belt starter tab for DM1 belt	928188
◆	Belt starter tab for DM6/M 13 belt	928144
K	Belt box, 7.62 X 51 mm NATO, 100 rounds	222448
L	Muzzle cap, plastic	211013
M	Magazine exchange unit, 7.62 X 51 mm NATO (includes magazine adapter, bolt group, recoil spring assembly)	222794
◆	Butt stock, compl.	222600
◆	Magazine, 20-round, 7.62 X 51 mm NATO	214874
◆	Manual, Operators, HK21E/23E	927815
◆	Manual, Maintenance & Repair	927870
◆	Manual, Aiming with HK Small Arms	926153
◆	Cleaning kit, 7.62 mm/.30 cal	701960
◆	Pistol grip cleaning kit, compl.	222510
◆	Barrel, compl., 450mm (17.72") for HK11E/21E	222511

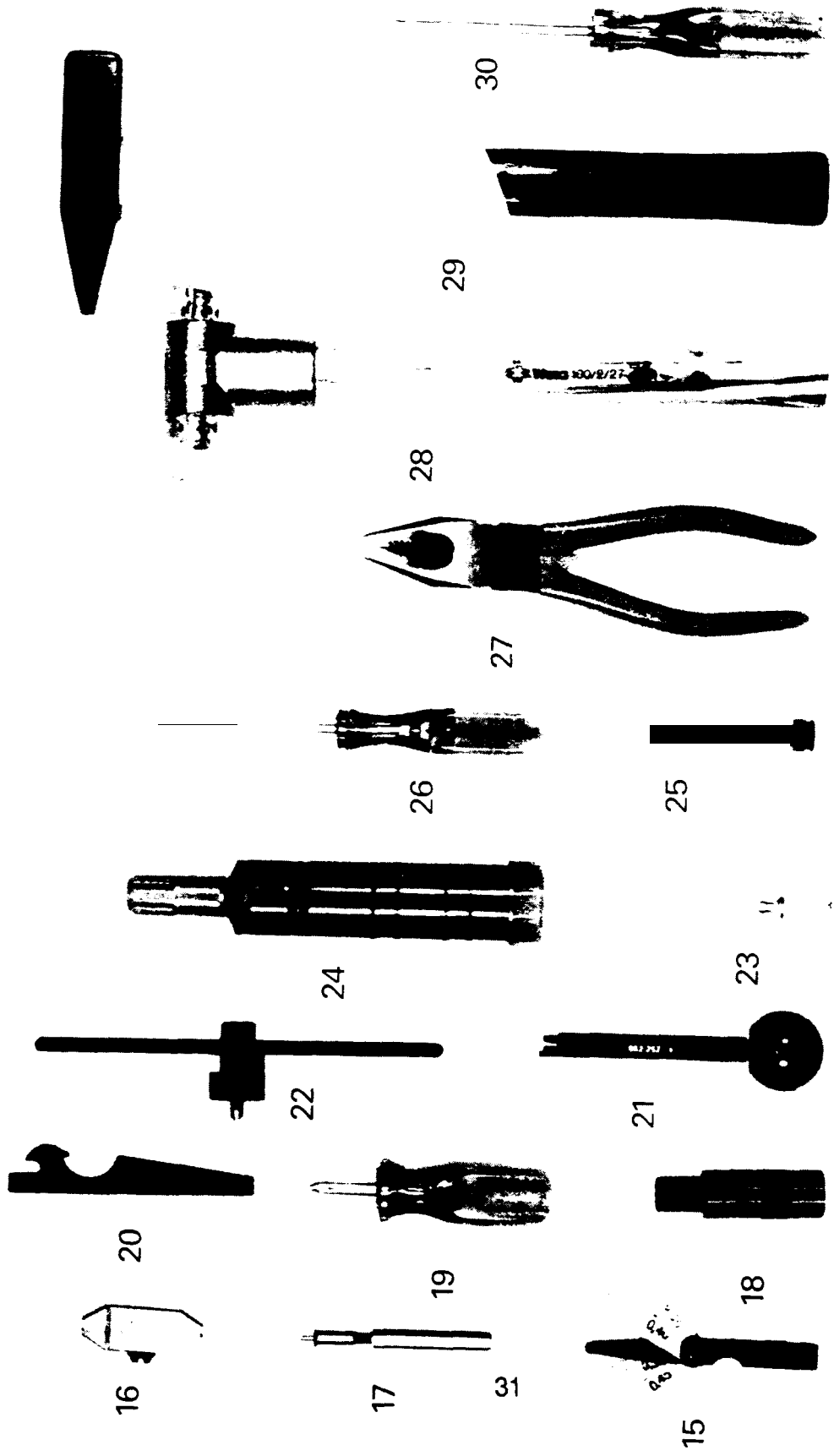
◆ Denotes item(s) not pictured in illustration

☎ Please call for price and availability

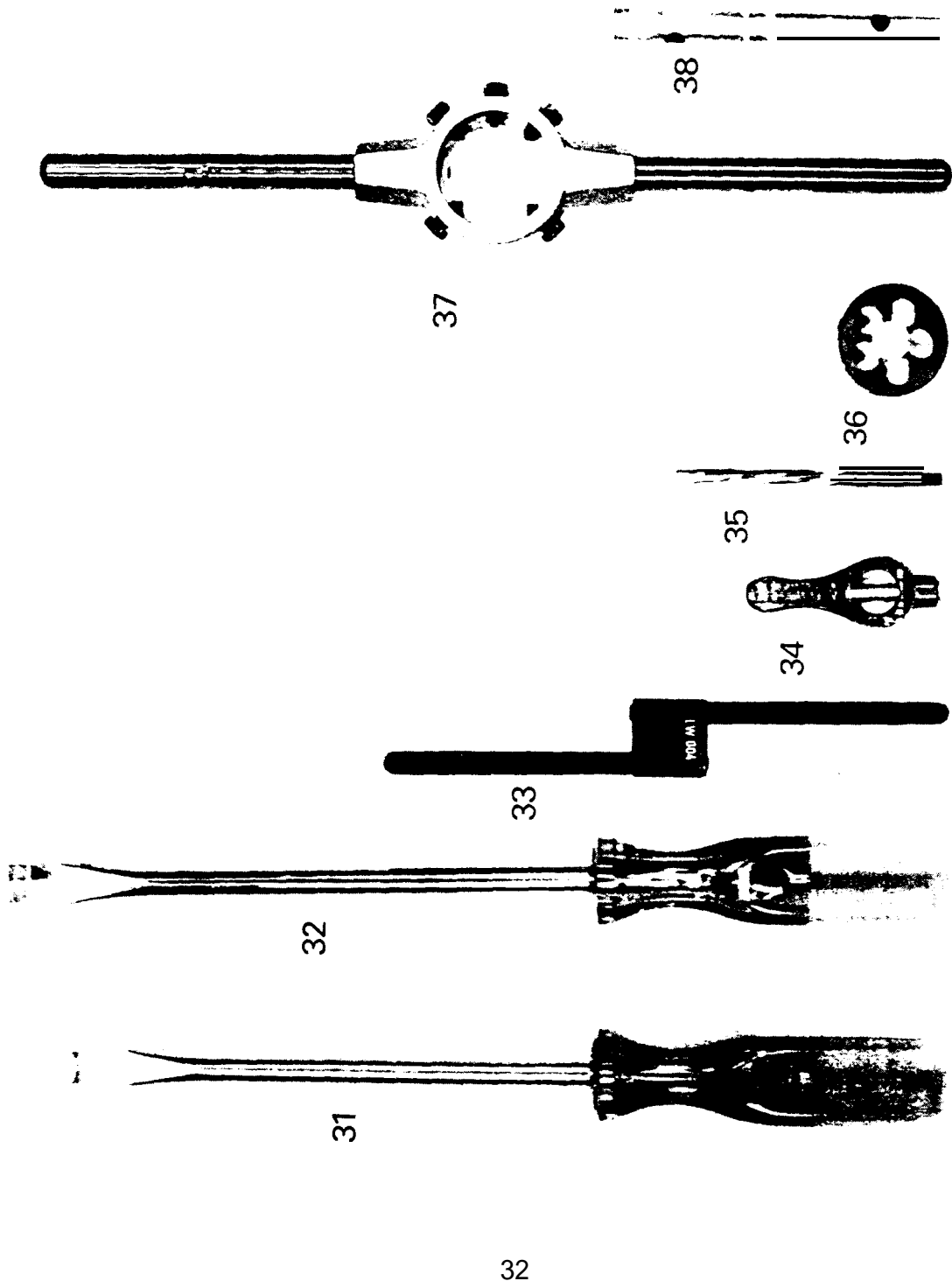
Special tools, gauges and fixtures for the HK1 1 E/21 E Machine Gun



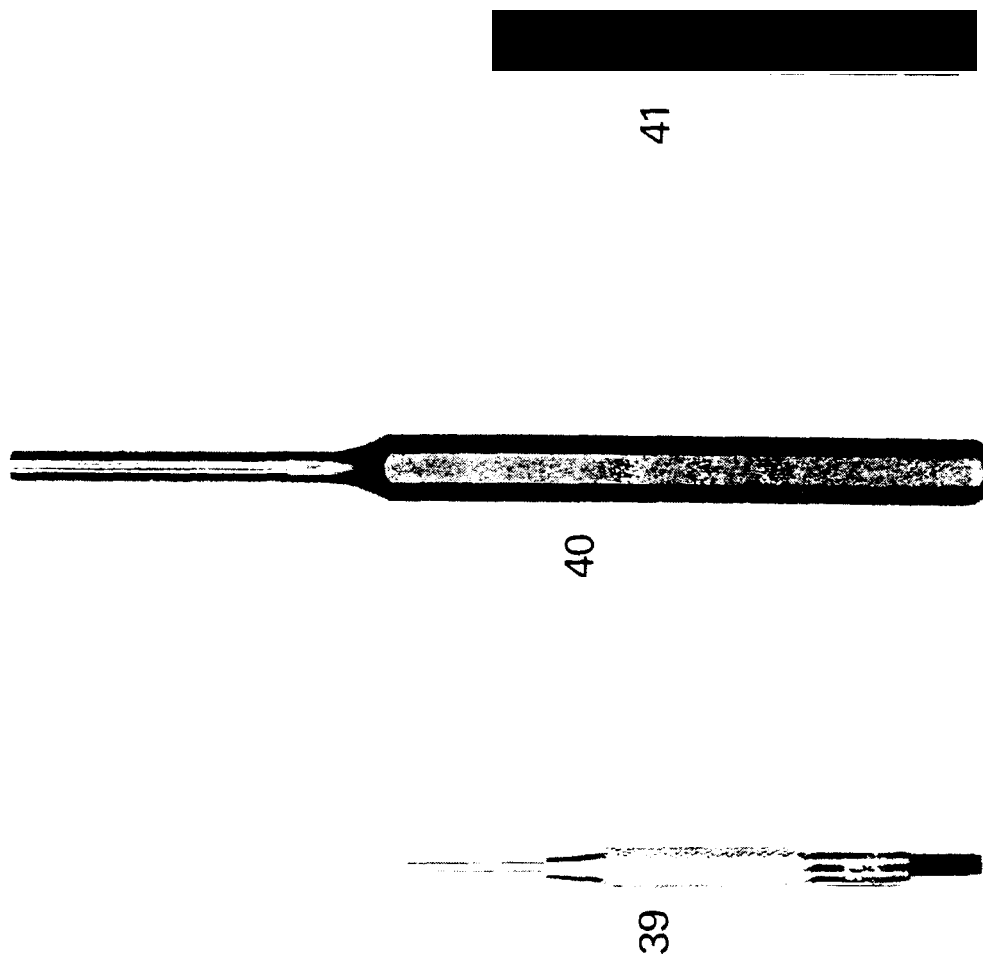
Special tools, gauges and fixtures for the HK11E/21 E Machine Gun



Special tools, gauges and fixtures
for the HK1 1 E/21 E Machine Gun



Special tools, gauges and fixtures for the HK11E/21 E Machine Gun



Special tools, gauges and fixtures for the HK11E/21 E Machine Gun



44



43



42

Special tools, gauges and fixtures for the HK11 E/21 E Machine Gun

Item #	Parts Description	Part #
1	Straightening mandrel for cocking lever housing (for straightening cocking lever housing)	318603
2	Go and symmetry gauge (to check shape and symmetry of receiver)	318939
3	Straightening mandrel for receiver (for straightening receiver)	300574
4	Straightening mandrel for front sight holder	300016
5	Chamber cleaning rod	300007
6	Chamber cleaning brush	300008
◆	Cleaning kit, 7.62 mm, compl.	701960
7	Set of calibre plug gauges: 7.64, 7.65, 7.67, 7.68 mm (for measurement of bore diameter)	300344
8	Rod for item # 7 above	300345
9	"No go" calibre plug gauge, 7.69 (for measurement of maximum bore diameter)	307713
10	Cleaning rod, pull through style	300751
11	Cleaning wick (chamber/bore cleaning)	962018
12	Cleaning rod, bore	313273
13	Wool pull-through (bore cleaning)	961222
14	Extension rod, bore, for # 12 above	314475
15	Feeler gauge (for measurement of bolt gap)	329830

◆ Denotes item(s) not pictured in illustration

☎ Please call for price and availability

Special tools, gauges and fixtures for the HK1 1 E/21E Machine Gun (cont.)

Item #	Parts Description	Part #
16	Limit gauge for firing pin protrusion	326172
17	Extractor protrusion gauge	318604
18	Bore scope	954610
19	Sight adjustment tool	300009
20	Universal spanner (remove and install flash hider)	312387
21	Assembly plug (assembly of trigger group)	330025
22	Assembly spanner for buffer closure screw (buffer assembly/disassembly)	321378
23	Special nut with grease nipple (remove bore obstructions)	955010
24	Grease gun (remove bore obstructions)	964067
25	Extracting tool for ruptured cartridge cases	955011
26	Spring fitting tool	330024
27	Combination pliers	957298
28	Plastic hammer	957422
29	Hammer 300 g	957417
30	Special screwdriver	318615
31	Fork screwdriver 12 X 200 (barrel)	324864
32	Set of screwdrivers:	
◆	Screwdriver 7 X 140 (Buttstock)	952656

◆ Denotes item(s) not pictured in illustration

☒ Please call for price and availability

Special tools, gauges and fixtures for the HK1 1 E/21 E Machine Gun (cont.)

item #	Parts Description	Part #
◆	Screwdriver 13 X 200 (Buffer, buttstock)	952658
◆	Screwdriver 3.5 X 90 (Carrying handle)	952653
33	Tap wrench (to hold reamers 35.1 - 35.5)	315917
34	Lathe dog, 15 mm (assembly/disassembly of recoil spring guide rod assembly)	956860
35	Set of hand reamers:	
◆	Hand reamer 13 mm H7 DIN 206	953583
◆	Hand reamer 7 mm H7 DIN 206 (Locking pin holes)	953513
◆	Hand reamer 6 mm H7 DIN 206	953502
◆	Hand reamer 5 mm H7 DIN 206	953498
◆	Hand reamer 4 mm H7 DIN 206	953476
36	Thread-cutting die DIN 223 M 15 X 1 (for muzzle threads)	951060
37	Cutting die support size 5 (to hold # 36 above)	955427
38	Hexagonal socket wrench	957352
39	Set of pin punches:	
◆	Pin punch, 6 mm	958428
◆	Pin punch, 5 mm (barrel grip/magazine release lever)	957315
◆	Pin punch, 4 mm (Front sight, cocking lever axle, barrel grip, bolt carrier locking lever)	958215
◆	Pin punch, 3.5 mm	957942

◆ Denotes item(s) not pictured in illustration

☎ Please call for price and availability

Special tools, gauges and fixtures for the HK11 E/21E Machine Gun (cont.)

Item #	Parts Description	Part #
40	Set of drift punches:	
◆	Drift punch, 2.4 mm (magazine attachment, HK11 E only)	957311
◆	Drift punch, 1.8 mm (rear sight, holder for locking roller)	957310
◆	Drift punch, 1.4 mm (disconnect/bolt release)	957309
◆	Drift punch, 0.9 mm	957308
41	Set of dowel pin holders:	
◆	Dowel pin holder, 0.1 mm	318267
◆	Dowel pin holder, 1.5 mm	318268
◆	Dowel pin holder, 2.2 mm (rear sight, holder for locking rollers)	301105
◆	Dowel pin holder, 2.8 mm (magazine attachment, HK11 E only)	300591
◆	Dowel pin holder, 3 mm	318264
◆	Dowel pin holder, 3.5 mm	318271
◆	Dowel pin holder, 4.2 mm	300767
◆	Dowel pin holder, 5 mm (magazine release lever, HK11 E only)	318262
42	Set of allen wrenches:	
◆	Allen wrench SW5 DIN 911, 5 mm (barrel)	957430
◆	Allen wrench SW4 DIN 911, 4 mm	957429
◆	Allen wrench SW3 DIN 911, 3 mm	957428
43	Set of circlip fitting tools:	
◆	Circlip fitting tool GRS 1.9 DIN 6799	955772
◆	Circlip fitting tool GRS 2.3 DIN 6799	955545
◆	Circlip fitting tool GRS 3.2 DIN 6799	955544

◆ Denotes item(s) not pictured in illustration

☞ Please call for price and availability

Special tools, gauges and fixtures for the HK1 1 E/21 E Machine Gun (cont.)

Item #	Parts Description	Part #
◆	Circlip fitting tool GRS 4.0 DIN 6799	955605
◆	Circlip fitting tool GRS 5.0 DIN 6799	955606
44	Center punch (barrel, recoil spring guide rod)	957323

() - indicates maintenance procedure this item used for.