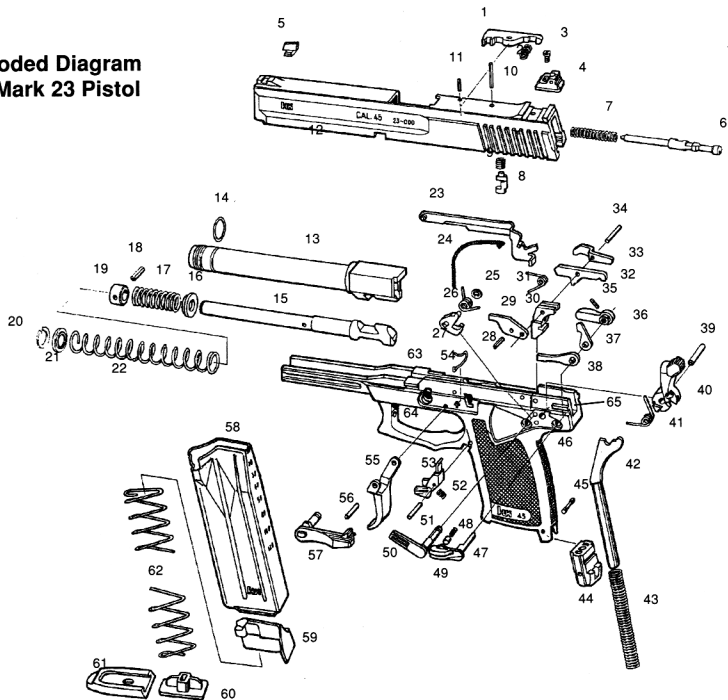


**Figure 15 Exploded Diagram
HK Mark 23 Pistol**



3.12 Parts Listing for Mark 23 Pistol

Position No.	Item Description	Part No.	Position No.	Item Description	PartNo.
1	extractor	215707	35	roll pin (right safety lever)	986430
2	extractor spring	215708	36	right safety lever	215744
3	rear sight retaining screw	215711	37	sear block	215754
4	rear sight, 6.3mm standard (unmarked)	215770	38	decocking lockout	215745
	rear sight, 5.5mm (-4)*	215767	39	hammer axle	215738
	rear sight, 5.9mm (-2)*	215768	40	hammer, complete	215772
	rear sight, 6.7mm (+2)*	215771	41	hammer rebound spring	215739
	rear sight, 7.1mm (+4)*	215774	42	hammer strut	215740
	rear sight, 7.5mm (+6)*	215783	43	hammer struts spring	215741
5	front sight	215721	44	insert	215731
6	firing pin	215705	45	locking bolt	215732
7	firing pin spring	215706	46	frame	215976
8	firing pin block	215709	47	safety detent	215746
9	firing pin block spring	215710	48	safety detents spring	215747
10	firing pin retaining pin	986432	49	left safety lever	215769
11	extractor pin	986432	50	decocking lever	215766
12	slide	215667	51	magazine release pin	986432
13	barrel	215671	52	magazine release spring	215737
14	O-ring	986429	53	magazine release	215775
15	recoil spring guide rod	215724	54	slide release spring	215733
16	recoil spring retainer	215725	55	trigger	215735
17	buffer spring	215726	56	trigger pin	215736
18	dual roll pin (buffer spring retainer)	986433	57	slide release lever, complete	215763
19	buffer spring retainer	215727	58	magazine housing (12-rd magazine)	215778
20	spring ring	929191	58A	magazine housing (10-rd magazine)*	215672
21	washer	215728	59	follower (10 & 12-rd magazine)	215779
22	recoil spring	215729	60	locking plate (12-rd magazine)	215761
23	trigger bar, complete	215760	60A	locking plate (10-rd magazine)*	214853
24	trigger bar spring	215734	61	floor plate (12-rd magazine)	215780
25	c-clip (decocker)	927062	61A	floor plate (10-rd magazine)*	215673
26	decocking spring	214743	62	magazine spring (12-rd magazine)	215782
27	decocker	215742	62A	magazine spring (10-rd magazine)*	214821
28	roll pin (ejector)	986431	63	locking insert (molded into frame)	
29	ejector	215752	64	trigger guard insert (molded into frame)	
30	sear	215748	65	guiding part (molded into frame)	
31	sear spring	215749		magazine (12-rd with LE markings), complete*	215666
32	sear actuator	215750		magazine (10-rd), complete*	215670
33	disconnecter	215751			
34	sear axle	215753			

*not pictured