

# USC CARBINE EXPLODED DIAGRAM & PARTS LIST

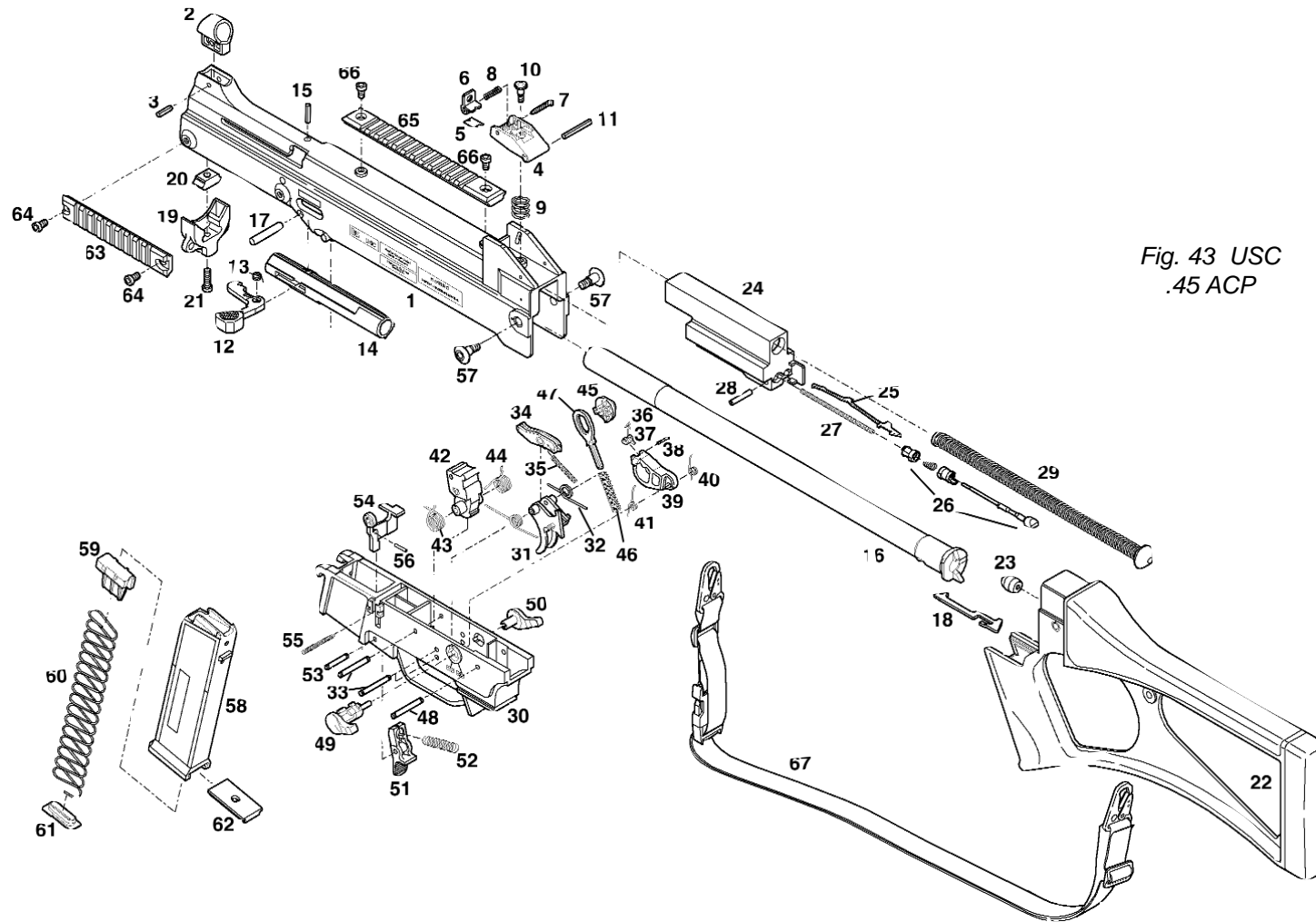


Fig. 43 USC  
.45 ACP

Item	Description	Part No.	Item	Description	Part No.	Item	Description	Part No.	Item	Description	Part No.
*	Upper receiver with barrel, complete (1 - 21)		19	Hand stop, incomplete	219342	57	Allen screw, buttstock (2)	217903			
1	Upper receiver, incomplete	219492	20	Insert plate, handstop	219343	*	Magazine complete, .45 (58 - 62)	219486			
2	Front sight	217506	21	Cylindrical screw, handstop 5 x 16 mm	219414	36	Locking lever spring	214616			
3	Roll pin, front sight, 4 x 144 mm	928747	*	Buttstock, complete (24- 25)	219496	37	Locking lever	219095			
*	Rear sight, complete (4 - 10)	217513	22	Buttstock, complete (24- 25)	217528	38	Bolt	214615	58	Magazine housing, .45 ACP	219555
4	Sight support	217992	23	Buffer	217544	39	Locking lever housing	214613	59	Follower, .45 ACP	219523
5	Flat spring	217515	*	Bolt, complete, .45 ACP (24 - 29)	219495	40	Elbow spring right	217946	60	Magazine spring, .45 ACP	219524
6	Rear sight	217516	24	Bolt, incomplete, .45 ACP	219499	41	Elbow spring right	205201	61	Locking plate, .45 ACP	219525
7	Windage adjustment screw	217517	25	Extractor, .45 ACP	217573	42	Hammer	217936	62	Floor plate	219526
8	Rear sight spring	217518	26	Firing pin assembly, complete	217555	43	Hammer spring, left	217533	*	Picatinny rail, short, complete with screws	219626
9	Sight support spring	217503	27	Firing pin spring	217523	44	Hammer spring, right	217585	63	Picatinny rail, short	219660
10	Elevation adjustment screw	217505	28	Firing pin retaining pin	217587	45	Notched disk	217614	64	Cylindrical screw (2x)	219413
11	Roll pin, sight support, 4 x 30 mm	987695	29	Recoil spring assembly, complete	217555	46	Compression spring	205418	*	Picatinny rail, long, complete (66 - 67)	219663
12	Cocking lever	217519	*	Lower receiver, complete (30-56)	219487	47	Index plate	205419	65	Picatinny rail, long	219661
13	Cocking lever spring	217508	30	Lower receiver, incomplete	219491	48	Axle, locking lever	219521	66	Cylindrical screw (2x)	219413
14	Cocking lever support	217507	31	Trigger	205420	49	Safety lever, left	217945	*	HK tool	988496
15	Roll pin, cocking lever support, 4 x 16 mm	986546	32	Trigger spring	217918	50	Safety lever, right	205437	67	Carrying sling, USC complete	214085
16	Barrel, .45 ACP	219497	33	Axle (3x)	217532	51	Magazine release	219530	*	Adaptor for UTL*	219693
17	Roll pin, barrel, 6 x 32 mm	988425	34	Sear, complete	205439	52	Magazine release spring	217536			
18	Ejector	219399	35	Sear spring	217917	53	Magazine release axle	214549			
*	Hand stop, complete. (19-21)	219364	*	Locking lever complete	219094	54	Bolt catch	217540			
						55	Bolt catch spring	217539			
						56	Roll pin,bolt catch, 2 x 12 mm	928080			