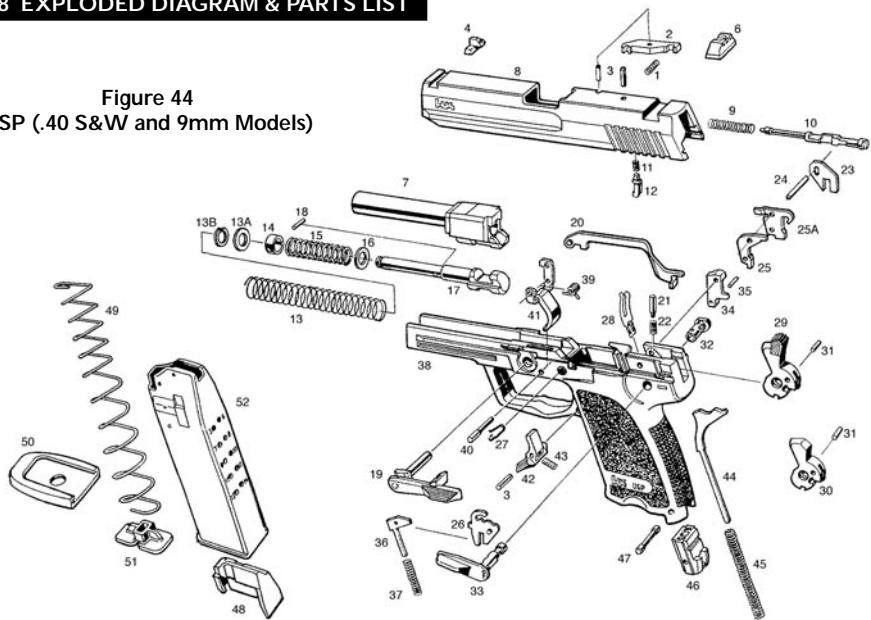


SECTION 8 EXPLODED DIAGRAM & PARTS LIST

Figure 44
USP (.40 S&W and 9mm Models)



USP Parts List (.40 S&W and 9mm Models)

Item	Description	Identification No.	Item	Description	Identification No.	Item	Description	Identification No.
1	Extractor spring	214188	19	Slide release	214181	34A	Tube (variant 5, 6, 7)**	214413
2	Extractor	214187	20	Trigger bar, complete	214176	35	Roll pin, ISO 8748 - 2 X 10mm	982785
3	Roll pin, ISO 8748 - 3 X 14 mm (3x) (extractor, firing pin, mag release)	980838	21	Trigger bar detent	214165		(sear, variant 1, 2, 3, 4, 9, 10)	
4	Front sight* (6.4 mm)	214220	22	Trigger bar detent spring	214166	36	Detent slide (variant 1-6, 9, 10)	214105
	Front sight* (6.6 mm)	214221	23	Disconnecter	214840	37	Compression spring, (detent slide) variant 1-6, 9, 10	214104
	Front sight* (6.8 mm) standard	214222	23A	Disconnecter**	214160	38	Frame	214172
	Front sight* (7.0 mm)	214223	24	Sear axle	214101	39	Trigger rebound spring	214164
	Front sight* (7.2 mm)	214224	25	Catch	214773	40	Trigger axle	214154
	Front sight* (7.4 mm)	214225	25A	Control latch	214817	41	Trigger	214153
6	Rear sight	214194	25B	Control latch**	214159	42	Magazine release	214169
7	Barrel (.40 S&W)	214209	26	Detent plate (variant 1 & 2)	214099	43	Magazine release spring	214170
	Barrel (9 X 19 mm)	214344		Detent plate** (variant 3 & 4)	214254	44	Hammer strut	214157
8	Slide (.40 S&W)	214186		Detent plate** (v. 5, 6, 9, & 10)	214255	45	Hammer spring	214300
	Slide, complete** (.40 S&W)	214150	27	Shaped spring (slide release)	214171	46	Lanyard loop insert	214341
	Slide (9 X 19 mm)	214304	28	Flat spring	214167	47	Lanyard loop insert pin	214314
	Slide, complete** (9 mm x 19)	214345	29	Hammer (variant 1-4, 9 & 10)	214825	48	Magazine follower	214211
9	Firing pin spring	214190		Hammer, complete**	214301		Mag. follower(10-rd, .40 & 9mm) **	214211
10	Firing pin	214189		with pin (variant 1-4, 9 & 10)		49	Magazine spring	214212
11	Firing pin block spring	214192	29A	Hammer (variant 1-4, 9 & 10)**	214106		Magazine spring (10-rd) **	214850
12	Firing pin block	214191	30	Hammer, bobbed (v.5, 6, 7)	214256	50	Floorplate	214213
13	Recoil spring	214148		Hammer, bobbed, complete**	214308		Floorplate (10-rd, .40 cal.) **	214845
13A	Front recoil spring retainer	214721		with pin (variant 5, 6, 7)			Floorplate (10-rd, 9mm) **	214848
13B	Snap ring	929191	31	Cyl. pin, ISO 8750 -1.5 X 8mm (hammer strut pin)	982783	51	Locking plate	214288
14	Buffer spring retainer	214208	32	Hammer axle (v.1-6, 9, 10)	214303	52	Magazine housing (13-rd, .40 cal.)	214214
15	Buffer spring	214207		Hammer axle** (variant 7)	214258		Magazine housing (15rd, 9mm)	214350
16	Recoil spring retainer	214206	33	Control lever (variant 1, 5, 9)	214184		Magazine housing (10rd, .40 cal.)	214846
17	Recoil spring guide rod	214205		Control lever (variant 2, 6, 10)	214309		Magazine housing (10rd, 9mm)	214849
17	Recoil/buffer spring assembly complete with captive recoil spring**			Control lever (variant 3)	214352		Locking plate (10rd, .40 cal.) **	214844
				Control lever (variant 4)	214253		Locking plate (10rd, 9mm)**	214847
18	Roll pin, ISO 8748 - 3.5 X 10mm (buffer spring retainer)	982782	34	Sear (variant 1-4, 9, 10)	214180	**Not pictured in diagram		
				Sear, complete**	214179			