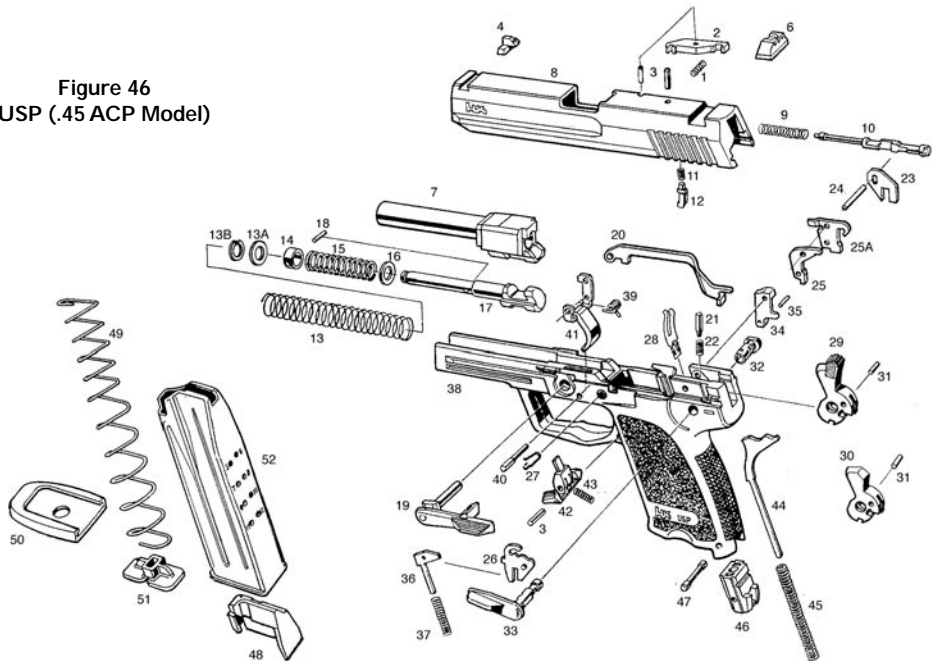


Figure 46  
USP (.45 ACP Model)



## USP .45 Parts List

*(Parts exclusive to the USP45 shown in italics)*

Item	Description	Identification No.	Item	Description	Identification No.	Item	Description	Identification No.
1	Extractor spring	214188	20	Trigger bar, complete	214176	36	Detent slide (variant 1-6, 9, 10)	214105
2	<i>Extractor</i>	214828	21	Trigger bar detent	214165	37	Compression spring, (detent slide) variant 1-6, 9, 10	214104
3	Roll pin, ISO 8748 - 3 X 14 mm(3x) (extractor, firing pin, mag. release)	980838	22	Trigger bar detent spring	214166	38	<i>Frame, complete</i>	214816
4	Front sight* (6.4 mm)	214220	23	<i>Disconnecter</i>	214840		<i>Frame, incomplete</i>	214675
	Front sight* (6.6 mm)	214221	24	Sear axle	214101	39	Trigger rebound spring	214164
	Front sight* (6.8 mm) standard	214222	25	<i>Catch</i>	214773	40	Trigger axle	214154
	Front sight* (7.0 mm)	214223	25A	<i>Control latch</i>	214817	41	<i>Trigger</i>	214841
	Front sight* (7.2 mm)	214224	26	Detent plate (variant 1 & 2)	214099	42	Magazine release	214818
	Front sight* (7.4 mm)	214225		Detent plate** (variant 3 & 4)	214254	43	Magazine release spring	214170
6	Rear sight	214194		Detent plate** (v. 5, 6, 9, & 10)	214255	44	<i>Hammer strut</i>	214819
7	<i>Barrel</i>	214815	27	Shaped spring (slide release)	214171	45	Hammer spring	214300
8	<i>Slide, incomplete</i>	214827	28	Flat spring	214167	46	Lanyard loop insert	214836
	<i>Slide, complete</i>	214826	29	<i>Hammer, complete</i> <i>(variant 1-4, 9 &amp; 10)</i>	214825	47	Lanyard loop insert pin	214314
9	Firing pin spring	214190	30	Hammer, bobbed (v.5, 6, 7)**	214256	48	<i>Magazine Follower</i>	214832
10	Firing pin	214189		Hammer, bobbed complete**	214744	49	<i>Magazine spring (12-rd)</i>	214833
11	Firing pin block spring	214192		(v.5, 6, 7)			<i>Magazine spring (10-rd) **</i>	214850
12	Firing pin block	214191	31	Cyl. pin, ISO 6325 2.5x8mm (hammer strut pin)	971598	50	<i>Magazine floorplate (12-rd)</i>	214834
13	<i>Recoil spring</i>	214843					<i>Magazine floorplate (10 rd)</i>	214852
13A	Front recoil spring retainer	214721	32	Hammer axle (v.1-6, 9,10)	214303	51	<i>Locking plate (12-rd)</i>	214835
13B	Snap ring	929191		Hammer axle** (variant 7)	214258		<i>Locking insert (10-rd) **</i>	214853
14	Buffer spring retainer	214208	33	Control lever (variant 1, 5, 9)	214184	52	<i>Magazine housing (12-rd)</i>	214869
15	<i>Buffer spring</i>	214822		Control lever (variant 2, 6, 10)	214309		<i>Magazine housing (10-rd) **</i>	214851
16	Rear recoil spring retainer	214206		Control lever (variant 3)	214352			
17	<i>Guide rod, incomplete</i>	214830		Control lever (variant 4)	214253			
17	<i>Recoil/ buffer spring assembly</i> <i>complete</i>	214829	34	Sear (variant 1-4, 9, 10)	214180			
				Sear, complete**	214179			
18	Roll pin, ISO 8748 - 3.5 X 10mm (buffer spring retainer)	929908	34A	Tube (variant 5, 6, 7)**	214413			
19	Slide release	214181	35	Roll pin, ISO 8748 - 2 X 10mm (sear, variant 1, 2, 3, 4, 9, 10)	982785			

\*\*Not pictured in diagram