

**.22** Magnum  
Semi-Automatic

*Mod.*

**HK<sup>®</sup> 300**

US Patent Nr. 3283435  
GB Patent Nr. 1021109

A new - and novel -  
rifle for hunting  
and target shooting  
from Messrs

**HK<sup>®</sup>**

**HECKLER & KOCH GMBH**  
D 7238 OBERNDORF-NECKAR

Heckler & Koch GmbH, Oberndorf/Neckar, Germany, are one of the world's leading manufacturers of military small arms and equipment.

When, after a thorough evaluation of the civilian market and after an equally thorough development period in the "hunting weapons" sector, HK decides to put a semi-automatic rifle into series production, hunters and target shooters can rightly expect that they will not only be rewarded with an original HK product, but with "original" design in addition.

Webster defines original as "new, unique, creative, novel."

What's new and unique about this rifle is that, to the best of our knowledge, it's the only functionally reliable semi-automatic rifle available in .22 WMR.

"Creative" is what the work of our designers can be termed. Based on the knowledge that, thanks to its years of experience in the manufacture of military arms and its most modern engineering facilities, our company can be relied on to transform the designer's drawing-board ideas into reality, they were not forced to design within specified limits. This not only had a favourable effect on the operation and accuracy of the HK 300, but gave the rifle good looks in addition to practicality.

## Design features of the Mod. HK 300

### Accuracy

Equal to that of the sniper rifles manufactured by us.

Our novel telescopic sight clamp mount also contributes to the accuracy of the HK 300. It will be described further on.

### Simple design of the rifle

"Simple" in the sense of "ingenious".

### Troublefree stripping and cleaning without tools

Even for the man with two left hands.

### Sights

We realized, of course, the role their design plays in the accuracy of the HK 300.

### Magazine capacity

2, 5 and 15 rounds. The filled magazine can be inserted into the closed rifle.

### Wing safety

On the left side of the rifle.  
Easy, quick operation.

### Calibre .22 Magnum

Of interest to the hunter because of its wide range of possibilities:  
Varmint hunting, winter fox hunting, training with economical ammunition.

## Specifications

Action .....	Inertia bolt
Overall length .....	39.4 in (100 cm)
Barrel length .....	19.7 in ( 50 cm)
Weight .....	5.7 lbs (2.60 kg)

Telescopic sight mount ...	HK clamp mount for any vertically and horizontally ad- justable scope
----------------------------	--

Standard model with German stock

And now we've told you everything of importance about the Mod. HK 300.

Or so the engineer thinks.

Handling the rifle is so simple that it would hardly be possible to treat it "improperly".

This may be true. But most owners of the HK 300 will not be engineers.

The Mod. HK 300 is far from being delicate and sensitive.

It feels like an old friend right from the start.

But "not treating it improperly" is not quite the same as "treating it correctly"!

You'll notice the fine difference between the two methods of treatment yourself in the course of time.

We certainly don't want to spoil the fun you'll have discovering it.

But if you want to see whether your method of treatment is the same as the one we recommend, then you only need to turn the page.

Congratulations if you've been doing everything right!

It's not always simple to describe simple things or procedures with simple words.

It would only take a minute to demonstrate how to ready the HK 300 for firing, strip it and assemble it again.

"Describing" takes somewhat longer.

If you've been doing it this way, you've been doing it correctly:

(This description is based on the condition of the rifle when removed from the original packing)

### Loading the rifle

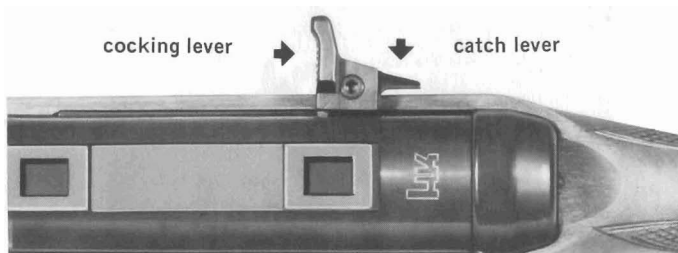
Remove the magazine by pressing the magazine catch (Fig. 1).



Fill magazine and slide in again until it engages.

Pull back cocking lever (Fig. 2) until it engages.

Press catch lever (Fig. 2); the It will snap forward and chamber the round.



Now you can fire (until the magazine is empty) or place the rifle on safe. The safety can only be engaged with the hammer cocked.

Engaging the safety:

Swivel the wing safety out of the direction of fire.

The red dot must be completely covered

Taking off the safety:

Swivel the wing safety in the direction of fire.

The red dot must be completely visible.  
Field stripping the unloaded and closed rifle for cleaning:

Press the catch on the trigger assembly housing (Fig. 3) and remove trigger assembly housing from the rifle.

Pressing firmly against the face of the end cap (Fig. 3) with your thumb, slide upward and remove.



Press out the retaining pin, located laterally in the buffer.

Now hold the weapon with the muzzle upward. The buffer and bolt will slide out into your hand.

#### Cleaning and care:

The way you learned it and have always done it.

#### Assembly:

Hold the rifle with the muzzle downward; pull back cocking lever until it engages.

Insert the bolt (extractor downward) while rotating slightly to the left and right and let it slide forward as far as it will go.

Insert buffer with the recess at the bottom front, insert retaining pin, and attach end cap by pressing or tapping lightly.



When you now press the catch lever on the cocking lever, the bolt will snap forward to its closed position.

Insert trigger assembly housing until it engages.

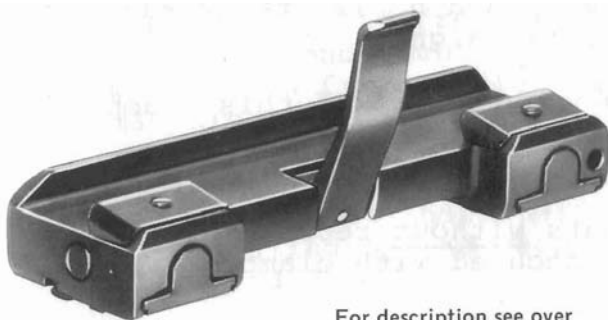
### Sights

The front sight is vertically adjustable: Loosen check nut, rotate screw in the required direction, and tighten check nut firmly again.

The rear sight can be moved in the desired direction by carefully tapping it on the side.

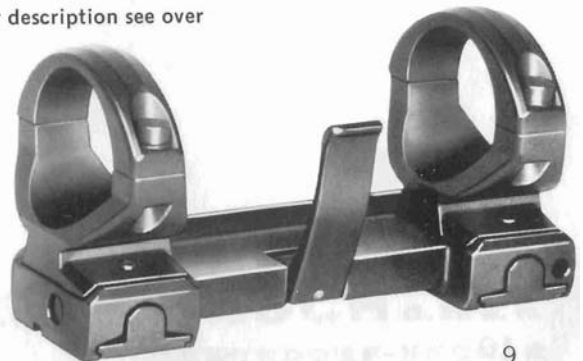
### Attaching telescopic sight:

Swivel the clamping lever of the clamping mount attached to the telescopic sight all the way down, place clamping mount in the receiving track recesses, and swivel the clamping lever upward again.



HK 05 clamp mount

For description see over



## HK 05 Clamp Mount

Our new-design HK 05 Clamp Mount is supplied as an accessory -- but as an accessory that's "tailor made" for this semi-automatic rifle.

We're used to thinking in terms of "systems" from our military arms.

Our experience in designing and manufacturing scope mounts for sniper rifles led to an amazingly simple, highly accurate clamp device.

Every Mod. HK 300 comes with a rigidly attached mounting track, in which the HK 05 Clamp Mount with telescopic sight is retained securely.

This eliminates the fitting required with previously available mounts.

The distance between the telescopic sight and the shooter's eye can be set individually.

The HK Clamp Mount can be employed with any desired vertically and horizontally adjustable telescopic sight.

The absolutely secure seat of this clamp mount ensures full utilization of the scope's possibilities.

Telescopic sights without receiving track (dovetail) are secured with clamping rings.

G u a r a n t e e

---

This Mod. HK 300 Weapon No. ....  
sold by

Stamp and signature

Date of purchase

left our factory in perfect condition.

We guarantee that, within a period of 12 months after the date of purchase, we will provide replacement or repair of damaged items in our factory generously and free of charge if it is determined beyond doubt that the guarantee claim resulted from a defect in material or workmanship.

This guarantee shall cease if the type of damage or impairment indicates improper or negligent handling of the weapon or in cases of normal wear and tear.



**HECKLER & KOCH** G. M. B. H.  
**OBERNDORF-NECKAR**