



Optische
Werke AG

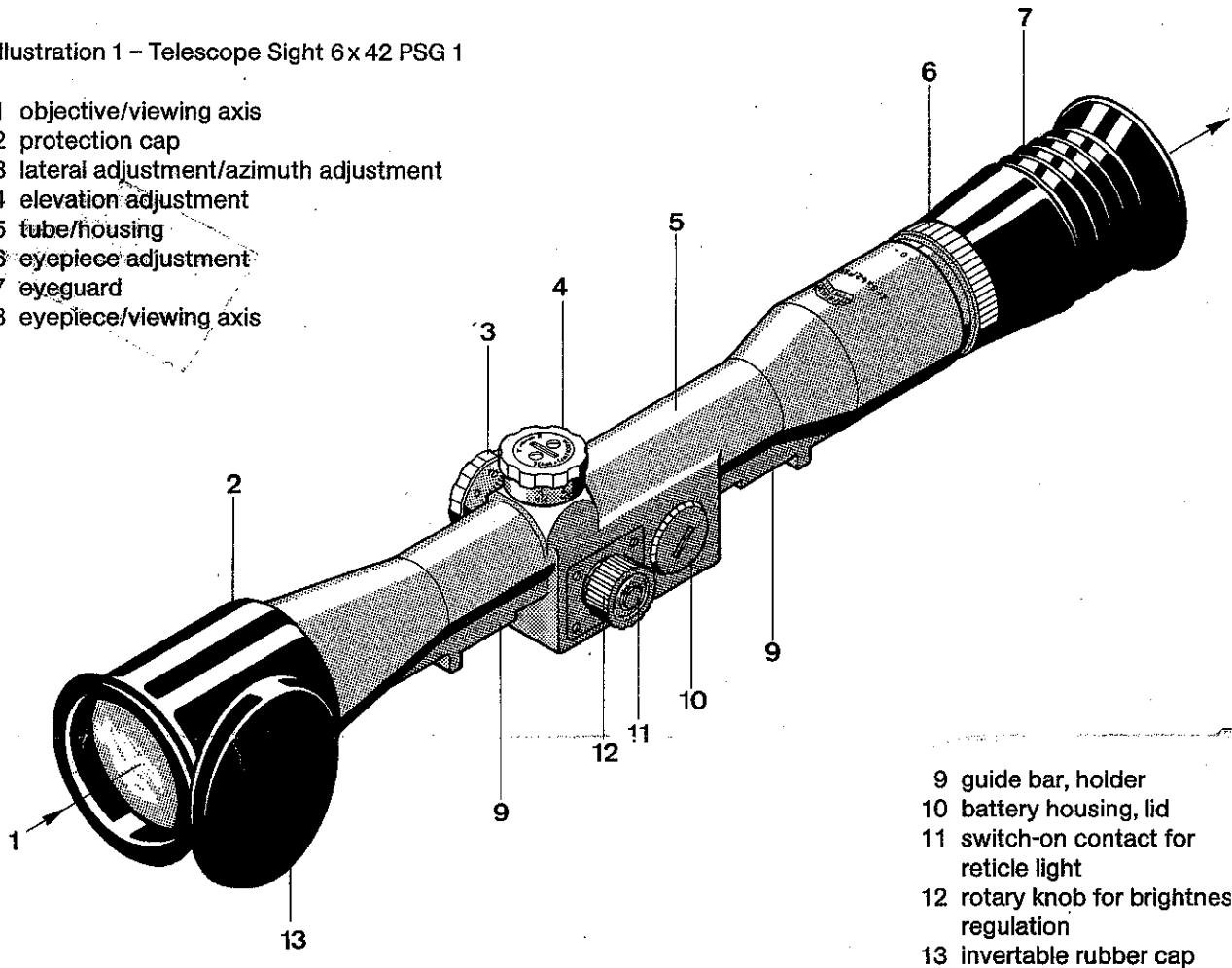
Zeiss-Group
West Germany

Data Sheet 33 01 24

TELESCOPE SIGHT 6 x 42 PSG 1

Illustration 1 – Telescope Sight 6 x 42 PSG 1

- 1 objective/viewing axis
- 2 protection cap
- 3 lateral adjustment/azimuth adjustment
- 4 elevation adjustment
- 5 tube/housing
- 6 eyepiece adjustment
- 7 eyeguard
- 8 eyepiece/viewing axis



- 9 guide bar, holder
- 10 battery housing, lid
- 11 switch-on contact for reticle light
- 12 rotary knob for brightness regulation
- 13 invertable rubber cap

Short designation ZF 6 x 42 PSG 1
Drwg.-No. 33 01 24-0000.000

Purpose

The telescope sight is intended for use with a sniper rifle, e.a. PSG 1. It serves the gunner for targeting and aiming and also allows target observation at greater distances. The maximum adjustable shooting distance is 600 m.

Measurements

Length with cap and eyeguard 390 mm
 Diameter (cap) 56 mm
 Height 130 mm

Weight

Telescope Sight 602 g

Optical Data

Telescope magnification (V) 6
 Entrance pupil (EP) 42 mm
 Exit pupil (AP) 7 mm
 Eye relief 70 mm
 Field of view angle 4°
 Field of view at 100 m 7 m
 Diopter setting ± 2 dp
 Optical length (l) 309 mm
 Superelevation angle adjustment
 stops from 100 m to 600 m
 Lateral adjustment
 stops every 0,1° ± 2,5'

Other Data

Reticle light adjustable
 Illumination period approx. 2 min
 Batteries/button cell column 3/60 DK VART

Short Description

The **ZF 6 x 42 PSG 1** is a monobjective/monocular telescope sight with a lens erecting system and 6 power magnification. The superelevation angle is adjustable for shooting distances from 100 m to 600 m.

All air - glass surfaces of the optical components (except the reticle) are coated with a wipe-proof reflection reducing coating. The telescope sight is so well sealed that even during sudden temperature changes and spray-water influences it remains usable.

The ZF 6x42 PSG 1 consist of:

(1) **tube** (1/5) with the **objective** (2/1), **elevation adjustment** (1/4) for range and elevation adjustment, **lateral adjustment** (1/3) for adjustment of the lead angle and for azimuth adjustment, **reticle** (2/2) with the reticle pattern (Illustration 3) in the first image plane, **lens erecting system** (2/3) and **guide bars**

(1/9) acc. to STANAG 2324 for mounting the ZF 6x42 PSG 1 to rifle.

(2) **reticle light with contact** (1/11) for switching on a luminous diode (the two minute luminating period of which is defined by an electronic timing circuit), **rotary knob** (1/12) for regulating brightness of the luminous diode, **battery housing** (1/10) for the screwable **lid** (1/10) for locking battery housing.

(3) **eyepiece** (1/8) with the two **eyepiece lenses** (2/4) and the **eyeguard** (1/7).

(4) **protection cap** (1/2) for protection of the tube with invertable **rubber cap** (1/13), which can be closed to protect objective (1/1), when the telescope sight 6 x 42 PSG 1 is not in use.

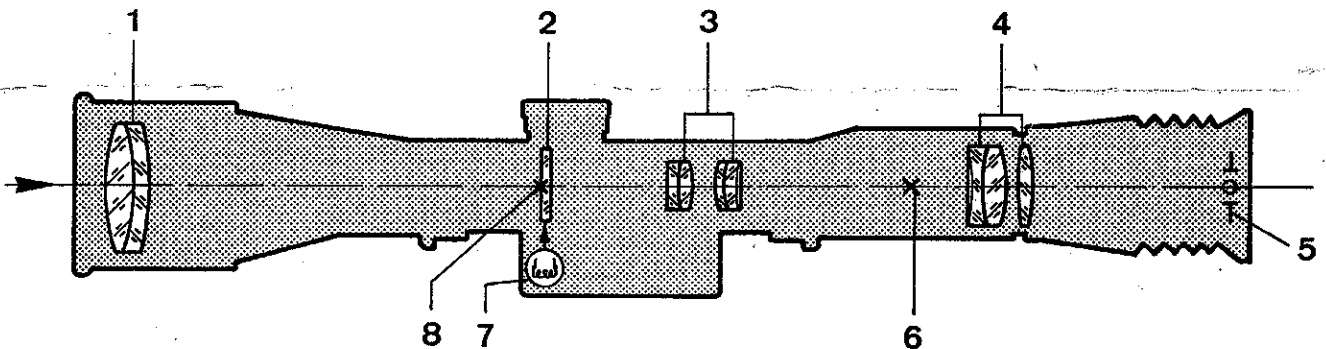


Illustration 2 - Optical Structure

- 1 objective
- 2 reticle
- 3 erecting system
- 4 eyepiece
- 5 exit pupil
- 6 second image plane
- 7 instrument light
- 8 first image plane (reticle plane)

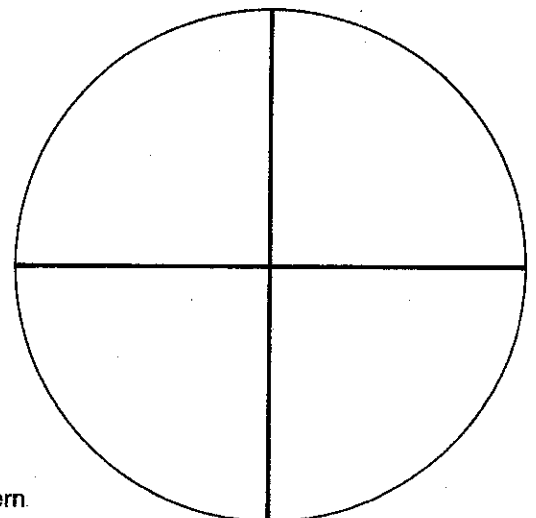


Illustration 3 - Reticle Pattern