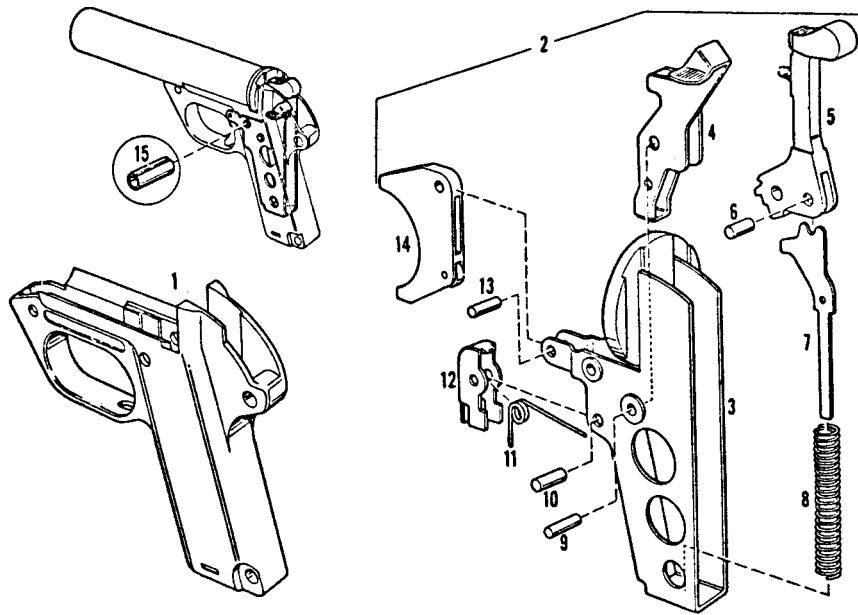


Parts list with indication of material

SIG P2A1 Signal Pistol, cal. 26.5 mm

Barrel assembly, complete

1	Barrel of signal pistol	16 Mn Cr 5
2	Supporting sheet	Bd 1.8 DIN 1544 MR St 4 LG GBK
3	Elbow spring	Wire 1.4 C DIN 2076 - 1.1211
4	Hinge pin	c 15
5	Clamping pin	Spring steel 55 Si 7 to DIN 17222
6	Extractor	st 3



Grip assembly with trigger mechanism

- | | | |
|----|-----------------------------------|--|
| 1 | Grip | 6 Polyamidplastic material with 35% glass fiber |
| 2 | Receiver of signal pistol, compl. | --- |
| 3 | Receiver, compl., left shell | Bd 1.5 DIN 1544 MR St 4 LGGBK |
| | holding bush | 16 Mn Cr 5 |
| | right shell | Bd 1.5 DIN 1544 MR St 4 LG GBK |
| 4 | Locking lever | Bd 2 DIN 1544 MR St 4 LG GBK |
| 5 | Hammer | Fine casting 16 Cr Mo 4
or 15 Cr Ni 6 |
| 6 | Pin | 15 s 20 K |
| 7 | Guide rod | Bd 3 DIN 1544 MR St 4 LG GBK |
| 8 | Compression spring | Wire 1.5 C DIN 2076 - 1.1211 |
| 9 | Axle | c 15 K |
| 10 | Axle for sear | C 15 K |
| 11 | Elbow spring | Wire 1 C DIN 2076 - 1.1211 |
| 12 | Sear | Bd 1.5 DIN 1544 ME? St4 LGGBK |
| 13 | Trigger bolt | C 15 K |
| 14 | Trigger | 6 Polyamid plastic material with 35% glass fiber |
| 15 | Clamping pin | Spring steel 55 Si 7 to DIN 17222 |