



Presentation

Submachine guns MP5

Table of contents

- [1. Technical Data](#)
 - [2. MP5 Variants](#)
 - [3. MP5 Variants in Action](#)
 - [4. In Action](#)
 - [5. Assembly groups MP5 A5](#)
 - [6. Assembly groups MP5 SD3](#)
 - [7. Assembly groups MP5 KN](#)
 - [8. Assembly groups MP5 K](#)
 - [9. Exterior view of MP5 A5 with parts designation](#)
 - [10. Exterior view of MP5 SD3 with parts designation](#)
 - [11. Bolt assembly](#)
 - [12. Exploded view MP5 A5](#)
 - [13. Operating principle MP5](#)
 - [14. Carrying and slinging modes](#)
 - [15. Sight pictures for MP5 A5](#)
 - [16. Modified Submachine Gun MP5](#)
- NRW
- [17. Accessories](#)
 - [18. How to use the accessories?](#)
 - [19. MP5 K Movie](#)



Technical Data

| | MP5 A5 | MP5 SD3 | MP5 KN | MP5 K |
|-----------------------|-----------------------------------|--------------------|--------------------|--------------------|
| Modes of fire | Semi, 3-round burst and full auto | Semi and full auto | Semi and full auto | Semi and full auto |
| Rate of fire | 800 rds/m | 800 rds/m | 900 rds/m | 900 rds/m |
| Muzzle velocity V_0 | approx. 400 m/s | approx. 285 m/s | approx. 375 m/s | approx. 375 m/s |
| Muzzle energy E_0 | approx. 650 Joule | approx. 325 Joule | approx. 570 Joule | approx. 570 Joule |
| Sight adjustment | 25 and 100 m | 25 and 100 m | 25 and 100 m | 25 and 100 m |

Weights, without magazine

Weapon with retractable/foldable buttstock 2,88 Kg 3,40 Kg 2,25 Kg 2,0 Kg (with cap)

Lengths

Weapon with retractable/foldable buttstock 660 mm 610 mm 600 mm 325 mm (with cap)

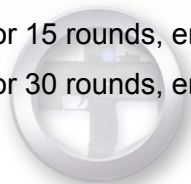
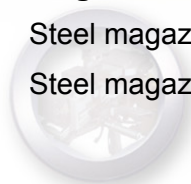
Line of sight 340 mm 340 mm 260 mm 260 mm

Barrel 225 mm 146 mm 148 mm 115 mm

Magazine weight

Steel magazine for 15 rounds, empty 0,12 Kg

Steel magazine for 30 rounds, empty 0,17 Kg



MP5 Variants



MP5 A5



MP5 K



MP5 SD3



MP5 KN





MP5 Variants in Action



In Action



Assembly groups MP5 A5 (NATO Stock Number: 1005 - 12 - 334 - 6026)



Receiver



Bolt complete with recoil spring



Handguard



Pistol grip



Retractable buttstock



Locking pin



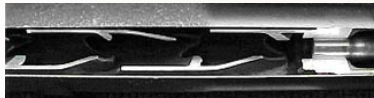
Magazine



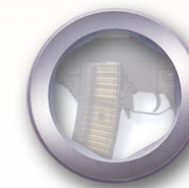
Assembly groups MP5 SD3



Suppressor



Cutaway view
Suppressor



Assembly groups MP5 KN



Assembly groups MP5 K



Exterior view of MP5 A5 with parts designation



Exterior view of MP5 SD3 with parts designation



The MP5 SD3 uses an integral aluminium sound suppressor with optional wet technology. It does not require use of subsonic ammunition for effective sound reduction like most conventional sound suppressed submachine guns do.

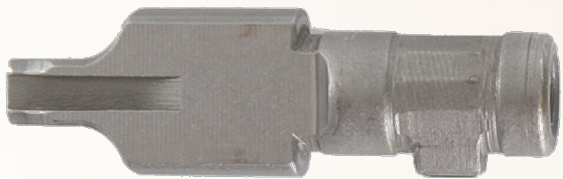
Ported barrel lowers velocity and sound signature of departing projectiles.

Standard „S-E-F“ trigger group



Bolt assembly

Locking piece



Bolt head



Extractor with extractor spring

Locking roller

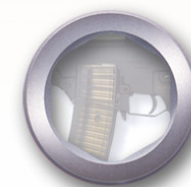
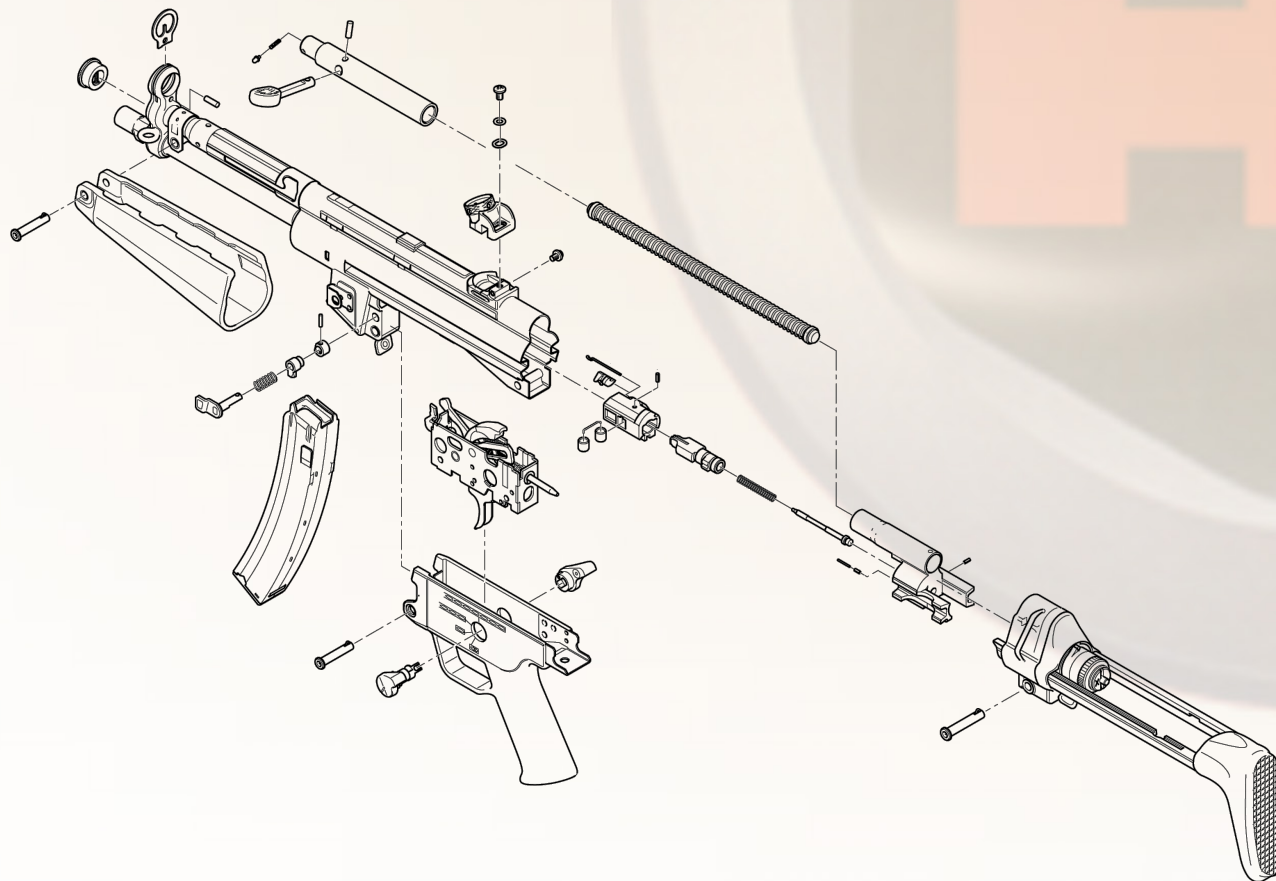
Firing pin spring



Firing pin

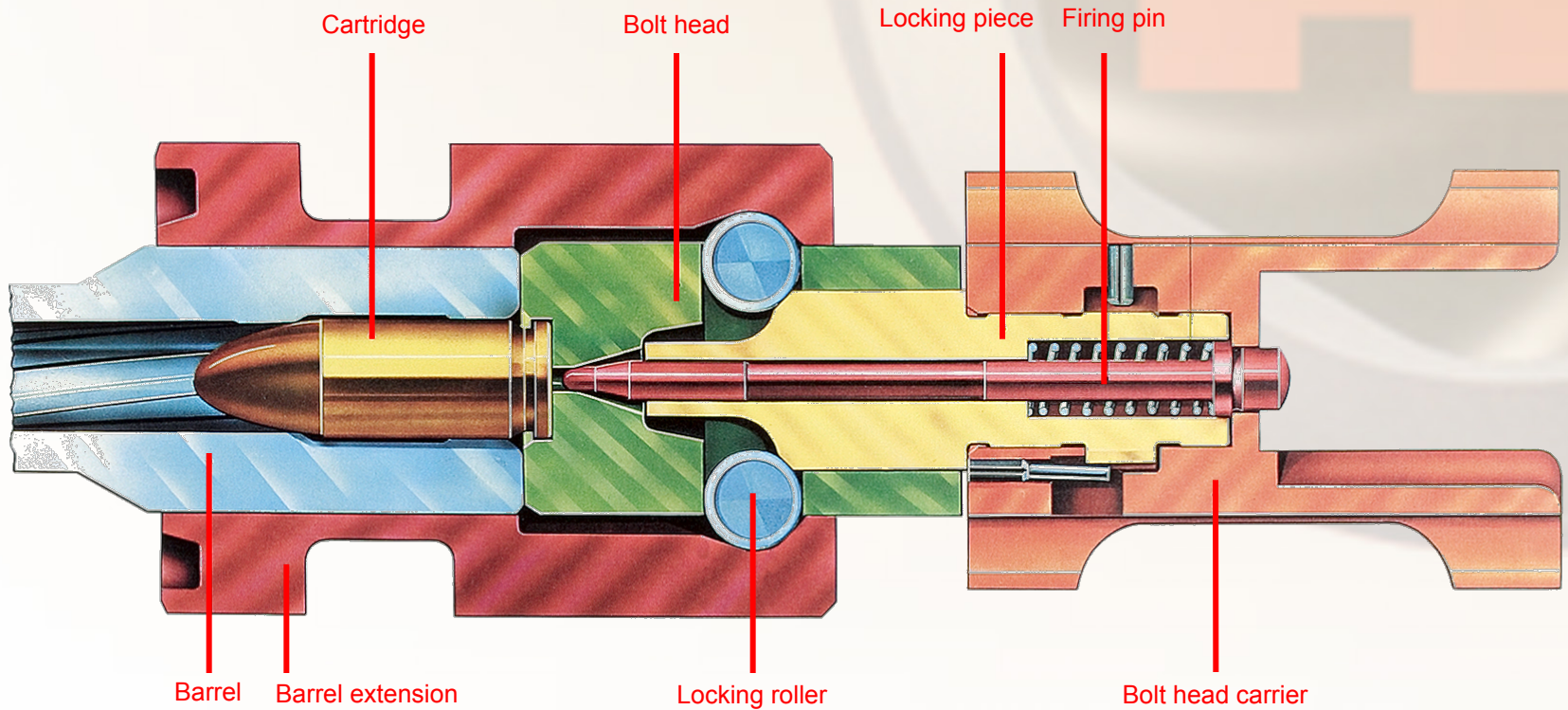


Exploded view MP5 A5



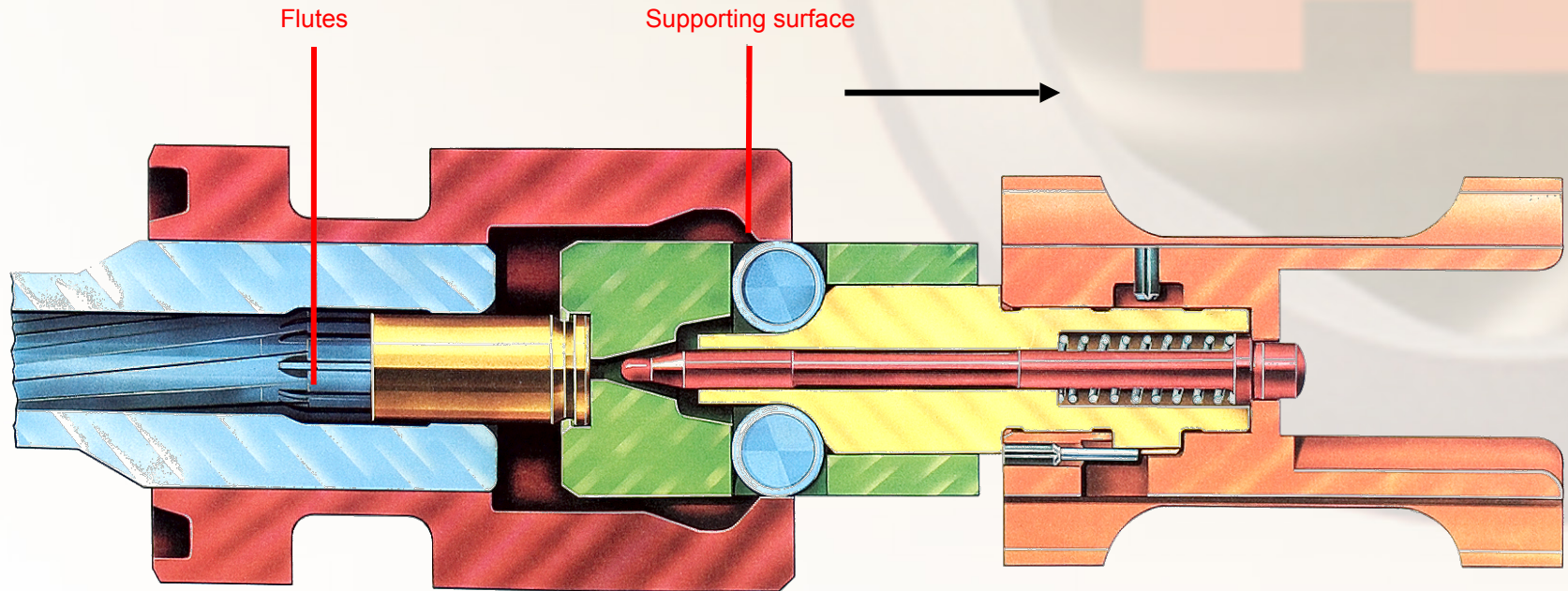
Operating principle MP5

Bolt in locked position

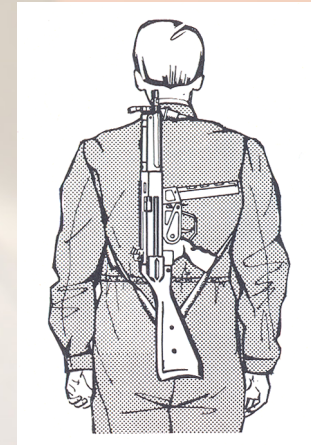
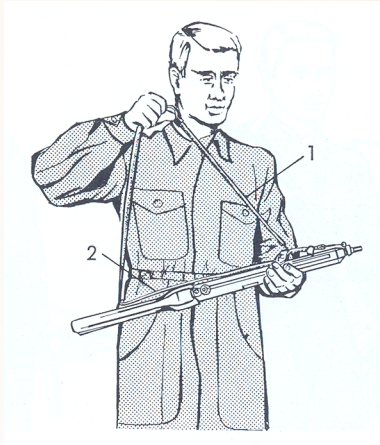


Operating principle MP5

Bolt in unlocked position



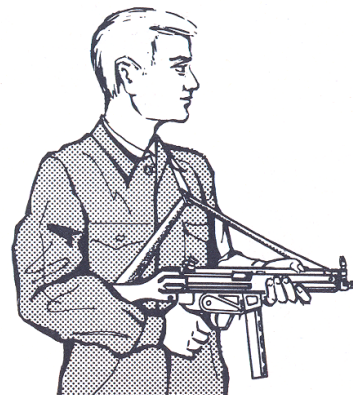
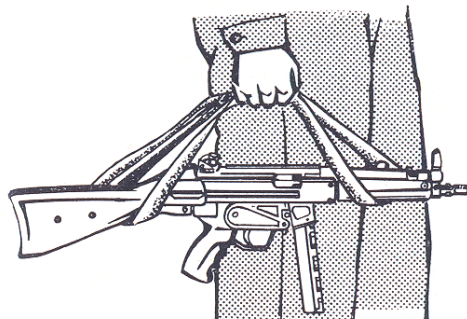
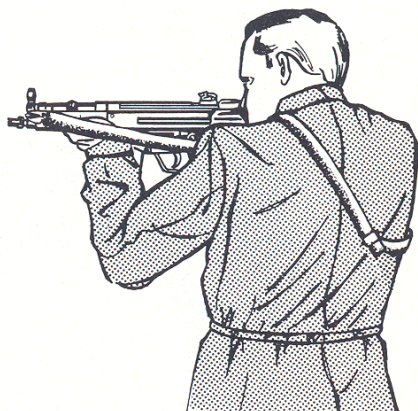
Carrying and slinging modes



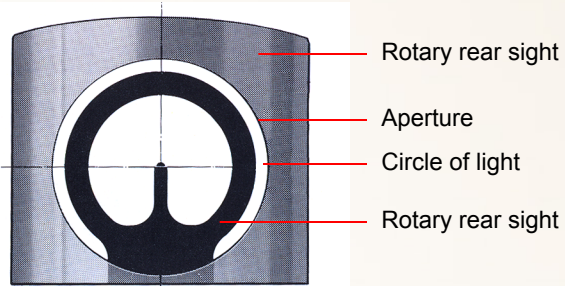
When slinging the weapon (Fig. 1), one half of the sling (Fig. 1/1) should extend over the shooter's back, with the other half (Fig. 1/2) resting across his chest.



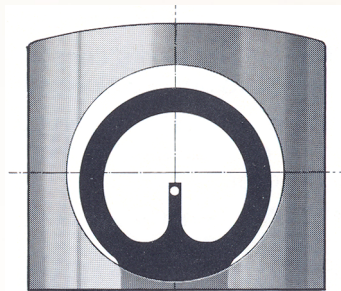
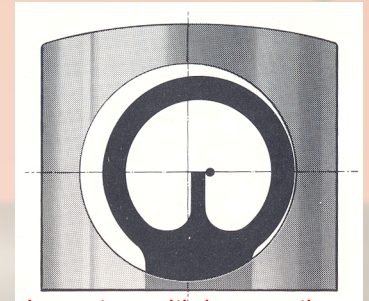
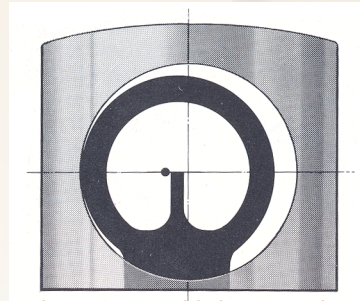
Carrying and slinging modes



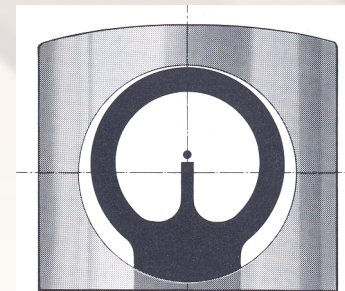
Sight pictures for MP5 A5



Correct point of aim
Even circle of light
Correct position of
the front sight



Impact as with fine sight = low



Impact as with full sight = high



Modified Submachine Gun MP5 NRW (Police)



Modified Submachine Gun MP5



Accessories

MP5 SD aluminium sound suppressor



Picatinny rails

MP5 K leather carrying harness



9mm magazine loader



9mm magazine unloader



MP5 dual magazine clamp



MP5 9mm 15- round magazine



MP5 9mm 30- round magazine



Nylon shoulder carry rig with lanyard



Accessories

Tactical light for
MP5 SD



Tactical light for
MP5 K



Model 628 with
single switch



Model 628 with
dual switch



MP5 multipurpose
carrying sling



Rear sight
adjusting tool



MP5 cap



MP5 K cap



Cleaning kit



Cleaning brush for
MP5 SD barrel ports



Flash hider



Extended safety
lever



Blank firing
attachment



MP5 K folding
buttstock



MP5 fixed
buttstock



MP5 retracable
buttstock



Accessories

Picatinny mount



Tactical light



Picatinny handguard



Briefcase



How to use the accessories?



MP5 K Movie





**Your Partner for the present
and the future**